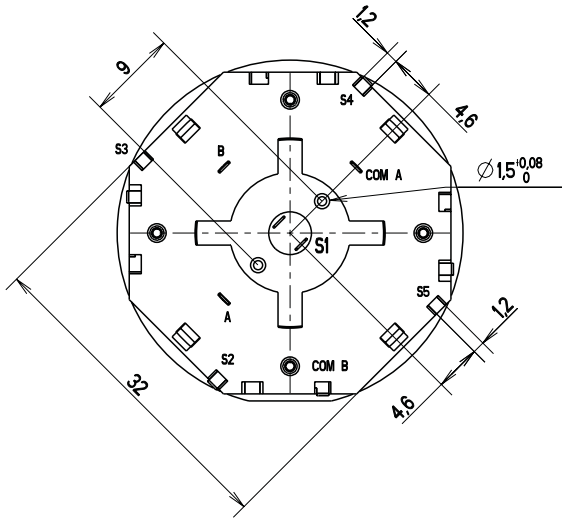
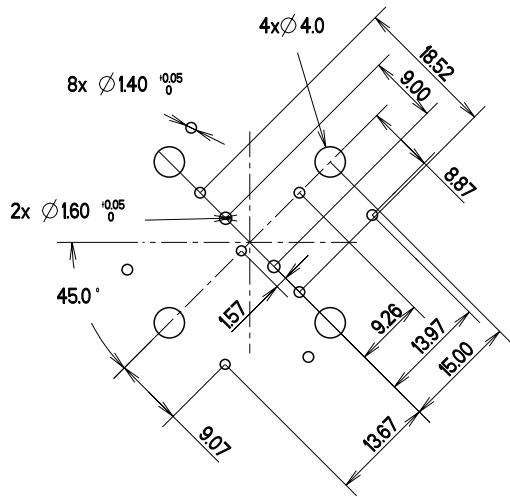


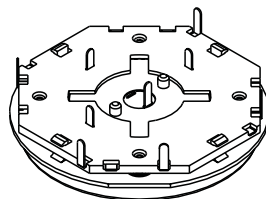
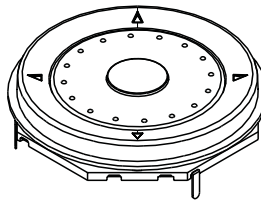
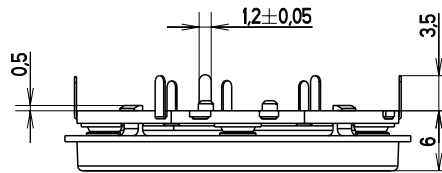
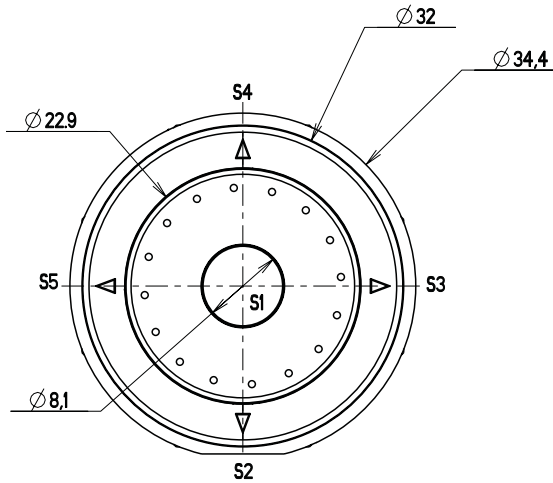
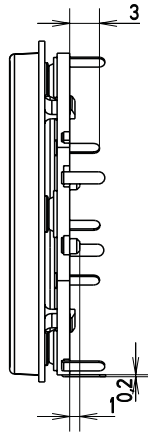
REV.	N° DCR	NATURE DE LA MODIFICATION	DATE	VISA
A	ECR-4981	Suppression reference 43 TB3 A00 FP	23/06/2010	L.B



PCB LAYOUT

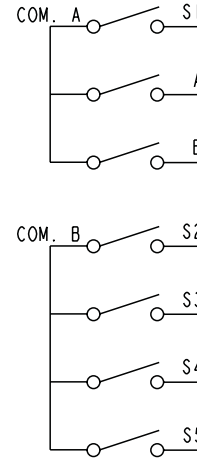


Reference	Designation
43 TB3 C00 FP	TSW B-3N-C LFS

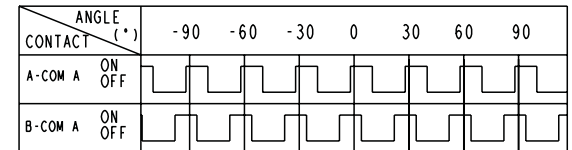


ECHELLE 1,500

ELECTRICAL FUNCTION



Rotational Output Waveform



CW ← → CCW

Numbers of detent : 24
Pulse/Rotation : 12 pulse/360°

MATERIAL / VOLUME	TREATMENT	PROTECTION
UNLESS OTHERWISE : - DIMENSIONS GIVEN BEFORE PROTECTION - BURRS AND SHARP EDGES DELETED	LINEAR TOLERANCE ± 0.4 ANGULAR TOLERANCE ± 1° SURFACE FINISH Ra	CRITICAL DIMENSIONS 0 SPC DIMENSIONS 0
CREATE BY JUILLE P DATE 07/09/09	MODIFICATION see revision table on the first sheet REPLACE FILENAME 43MTB001FP.KPLUBE FOLDER Dossier racine/dole_south.rd/zippy/bouton/produit	PART DESCRIPTION
CHECKED BY KUBAT L DATE	SCALE 2,000	act and Scroll Wheel TYPE B
APPROVED BY Laurent Kabat DATE 2010.06.24 08:51:19 +02'00'	SIZE A3 SHEET 1 / 1	PART NUMBER CU 43 MTB 001 FP REV A