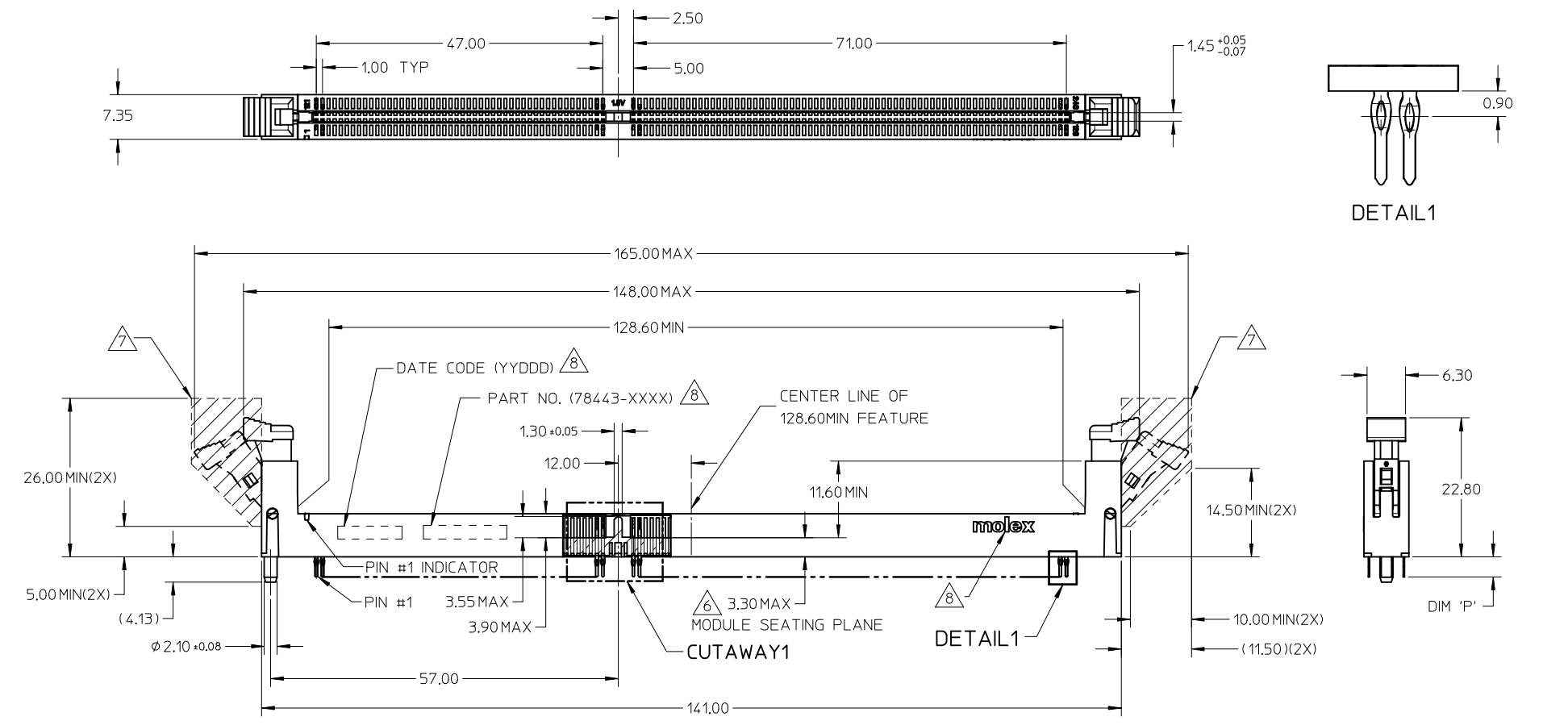


10 9 8 7 6 5 4 3 2 1



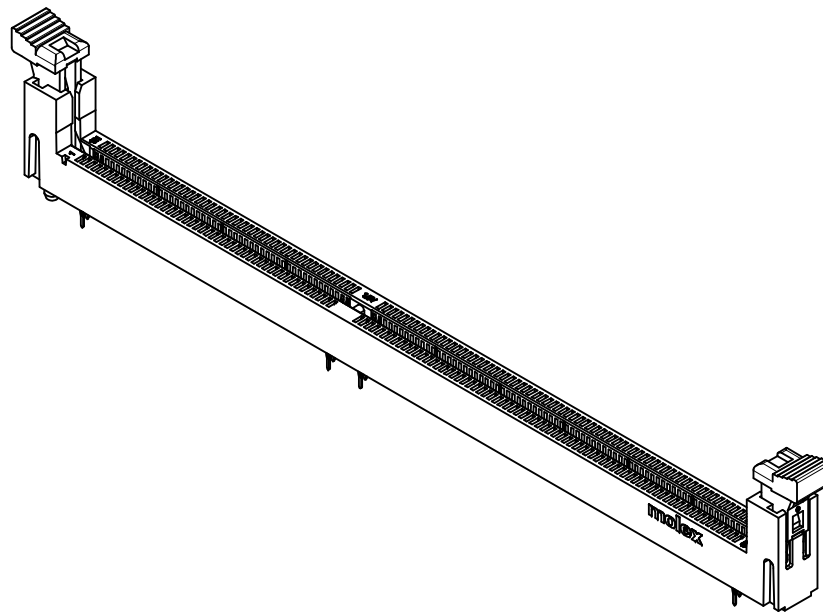
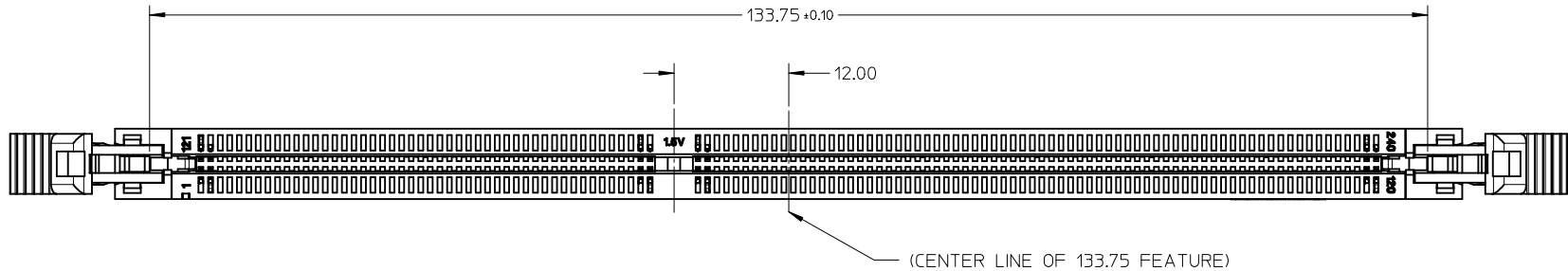
NOTES:
 1. MATERIALS
 HOUSING - POLYAMIDE (PA), GLASS FILLED, UL 94V-0, COLOUR - SEE TABLE.
 LATCH - POLYIMIDE (PA), COLOUR - SEE TABLE.
 - POLYSULFONE, UL 94HB - CLEAR.
 TERMINAL - COPPER ALLOY.
 2. PLATING - SEE TABLE.
 3. PRODUCT SPECIFICATION: SEE TABLE.
 4. PRODUCT SHALL BE PACKED IN TRAY.
 5. CARD SLOT ACCEPTS 1.27±0.10MM MODULE THICKNESS.
 (MEASURED FROM P.C.PADS).

- △ 6. MODULE SEATING PLANE FROM TOP OF PCB.
- △ 7. KEEP OUT ZONE RESERVED FOR LATCH.
- △ 8. MOLEX LOGO, DATE & PART NO. INDICATED ON HOUSING.

REMOVE PART NO. EC NO: S2014-1201 DRWN:CGTAN 2014/04/22 CHKD:CCTEH 2014/06/11 APPR:SHLENI 2014/06/11	DESCRIPTION REV	QUALITY SYMBOLS	GENERAL TOLERANCES (UNLESS SPECIFIED)		DIMENSION STYLE MM ONLY		SCALE NTS	DESIGN UNITS METRIC	THIRD ANGLE PROJECTION																																		
		$F_A=0$ $F_G=0$ $F_P=0$	<table border="1"> <thead> <tr> <th></th> <th>mm</th> <th>INCH</th> </tr> </thead> <tbody> <tr> <td>4 PLACES</td> <td>± ---</td> <td>± ---</td> </tr> <tr> <td>3 PLACES</td> <td>± ---</td> <td>± ---</td> </tr> <tr> <td>2 PLACES</td> <td>± 0.2</td> <td>± ---</td> </tr> <tr> <td>1 PLACE</td> <td>± ---</td> <td>± ---</td> </tr> </tbody> </table>		mm	INCH	4 PLACES	± ---	± ---	3 PLACES	± ---	± ---	2 PLACES	± 0.2	± ---	1 PLACE	± ---	± ---	<table border="1"> <thead> <tr> <th>DRAWN BY</th> <th>DATE</th> <th>TITLE</th> </tr> </thead> <tbody> <tr> <td>CMTEO</td> <td>2008/06/19</td> <td rowspan="3"> DDR3 DIMM, 100MM PITCH 240 CKTS, VERT PRESS-FIT LOW-LLCR MOLEX INCORPORATED </td> </tr> <tr> <td>CHECKED BY</td> <td>DATE</td> </tr> <tr> <td>CGTAN</td> <td>2008/07/25</td> </tr> </tbody> </table>	DRAWN BY	DATE	TITLE	CMTEO	2008/06/19	DDR3 DIMM, 100MM PITCH 240 CKTS, VERT PRESS-FIT LOW-LLCR MOLEX INCORPORATED	CHECKED BY	DATE	CGTAN	2008/07/25	<table border="1"> <thead> <tr> <th>APPROVED BY</th> <th>DATE</th> </tr> </thead> <tbody> <tr> <td>SHLENI</td> <td>2010/03/29</td> </tr> </tbody> </table>		APPROVED BY	DATE	SHLENI	2010/03/29	<table border="1"> <thead> <tr> <th>MATERIAL NO.</th> <th>DOCUMENT NO.</th> <th>SHEET NO.</th> </tr> </thead> <tbody> <tr> <td>SEE TABLE</td> <td>SD-78443-001</td> <td>1 OF 6</td> </tr> </tbody> </table>		MATERIAL NO.	DOCUMENT NO.	SHEET NO.	SEE TABLE	SD-78443-001	1 OF 6
			mm	INCH																																							
		4 PLACES	± ---	± ---																																							
3 PLACES	± ---	± ---																																									
2 PLACES	± 0.2	± ---																																									
1 PLACE	± ---	± ---																																									
DRAWN BY	DATE	TITLE																																									
CMTEO	2008/06/19	DDR3 DIMM, 100MM PITCH 240 CKTS, VERT PRESS-FIT LOW-LLCR MOLEX INCORPORATED																																									
CHECKED BY	DATE																																										
CGTAN	2008/07/25																																										
APPROVED BY	DATE																																										
SHLENI	2010/03/29																																										
MATERIAL NO.	DOCUMENT NO.	SHEET NO.																																									
SEE TABLE	SD-78443-001	1 OF 6																																									
DRAFT WHERE APPLICABLE MUST REMAIN WITHIN DIMENSIONS			SIZE A3		THIS DRAWING CONTAINS INFORMATION THAT IS PROPRIETARY TO MOLEX INCORPORATED AND SHOULD NOT BE USED WITHOUT WRITTEN PERMISSION																																						

9 8 7 6 5 4 3 2 1

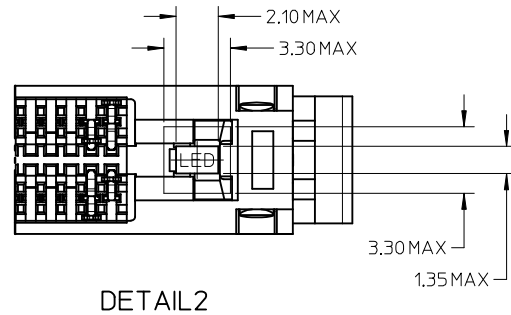
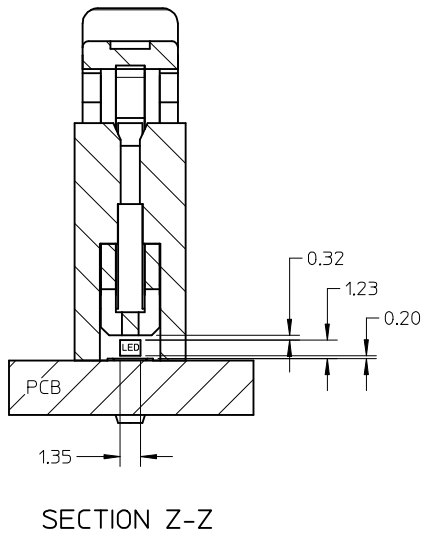
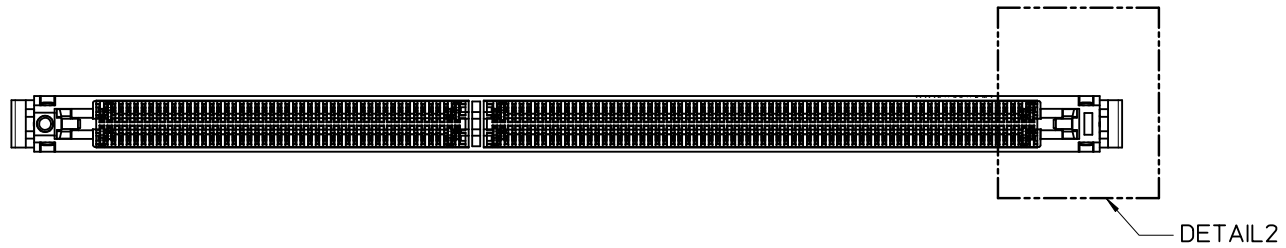
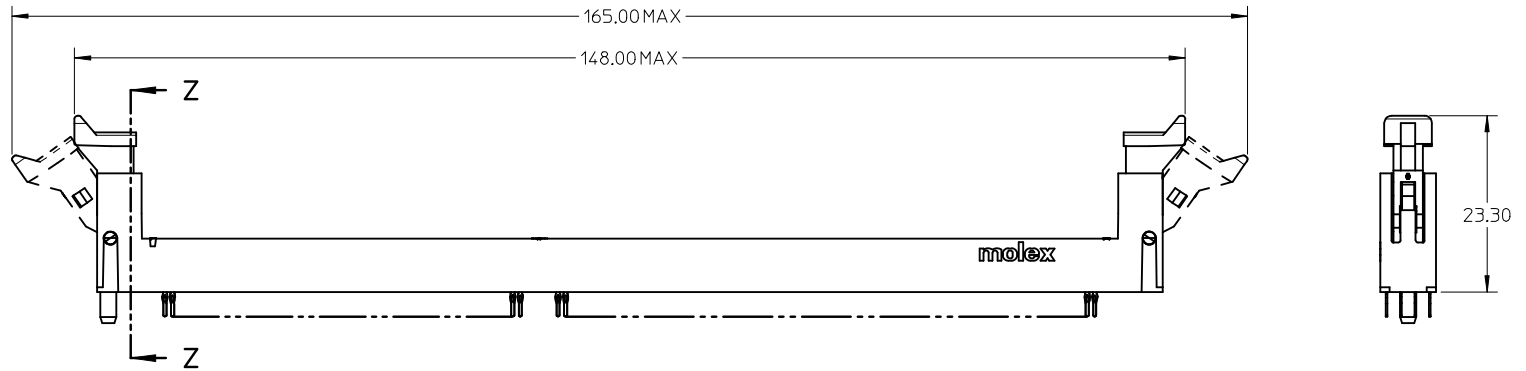
10 9 8 7 6 5 4 3 2 1



REMOVE PART NO. EC NO: S2014-1201 DRWN:CGTAN 2014/04/22 CHKD:CCTEH 2014/06/11 APPR:SHLENI 2014/06/11	QUALITY SYMBOLS $\nabla_A = 0$ $\nabla_G = 0$ $\nabla_P = 0$	GENERAL TOLERANCES (UNLESS SPECIFIED) mm INCH 4 PLACES ± --- ± --- 3 PLACES ± --- ± --- 2 PLACES ± 0.2 ± --- 1 PLACE ± --- ± --- ANGULAR ± 1 °	DIMENSION STYLE MM ONLY DRAWN BY: CMTEO DATE: 2008/06/19 CHECKED BY: CGTAN DATE: 2008/07/25 APPROVED BY: SHLENI DATE: 2010/03/29	SCALE: NTS DESIGN UNITS: METRIC THIRD ANGLE PROJECTION	TITLE: DDR3 DIMM, 100MM PITCH 240 CKTS, VERT PRESS-FIT LOW-LLCR
	DRAFT WHERE APPLICABLE MUST REMAIN WITHIN DIMENSIONS	MATERIAL NO.: SEE TABLE SIZE: A3	MOLEX INCORPORATED DOCUMENT NO.: SD-78443-001	SHEET NO.: 2 OF 6	
	THIS DRAWING CONTAINS INFORMATION THAT IS PROPRIETARY TO MOLEX INCORPORATED AND SHOULD NOT BE USED WITHOUT WRITTEN PERMISSION				
	A2	REV			

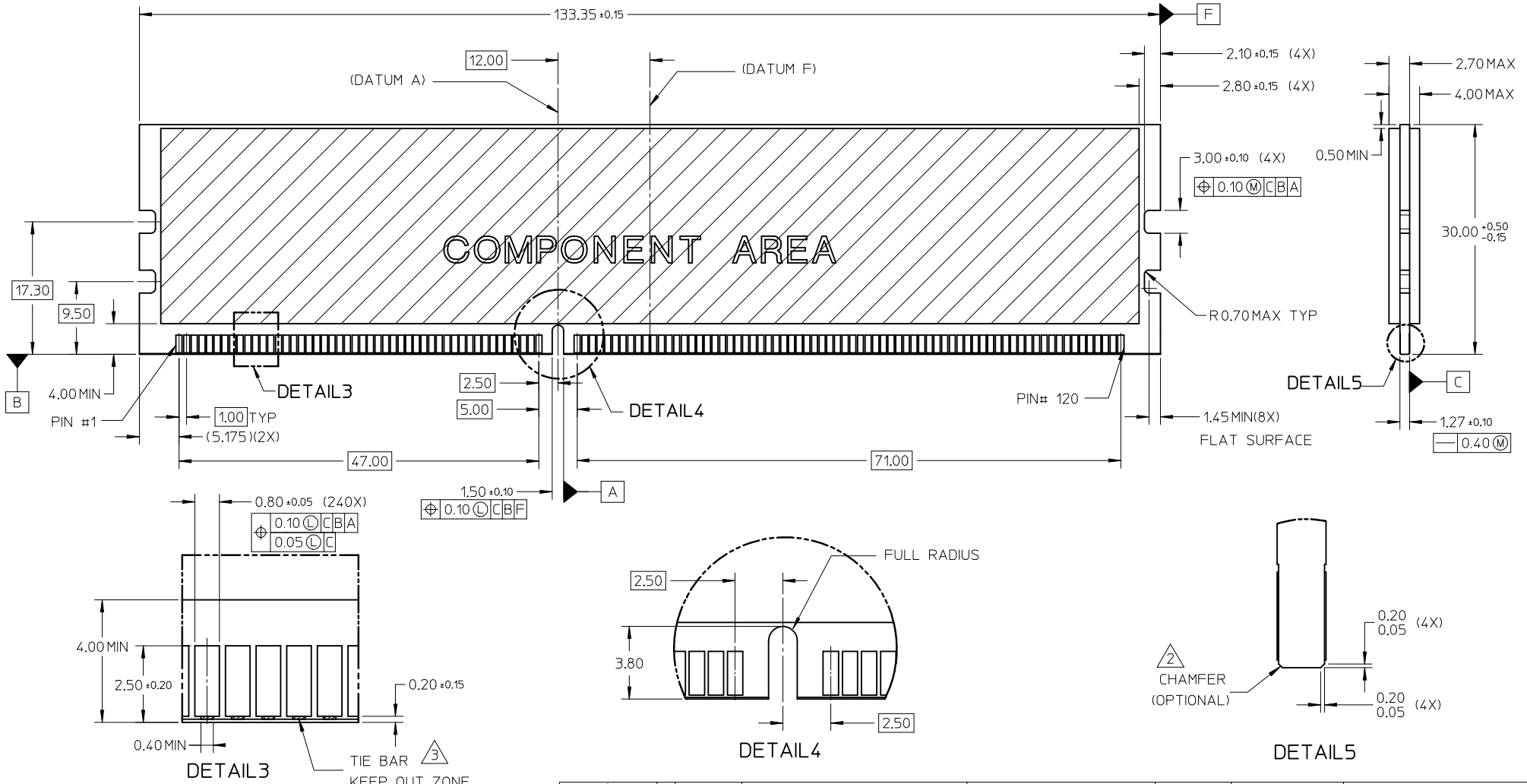
9 8 7 6 5 4 3 2 1

CONNECTOR WITH CLEAR LATCHES



REMOVE PART NO. EC NO: S2014-1201 DRWN:CGTAN 2014/04/22 CHKD:CCTEH 2014/06/11 APPR:SHLENI 2014/06/11	QUALITY SYMBOLS $F_A=0$ $F_G=0$ $F_P=0$	GENERAL TOLERANCES (UNLESS SPECIFIED) mm INCH 4 PLACES ± --- ± --- 3 PLACES ± --- ± --- 2 PLACES ± 0.2 ± --- 1 PLACE ± --- ± --- ANGULAR ± 1 °	DIMENSION STYLE MM ONLY DRAWN BY: CMTEO CHECKED BY: CGTAN APPROVED BY: SHLENI MATERIAL NO. SEE TABLE DATE: 2008/06/19 DATE: 2008/07/25 DATE: 2010/03/29	SCALE: NTS DESIGN UNITS: METRIC THIRD ANGLE PROJECTION	TITLE: DDR3 DIMM, 100MM PITCH 240 CKTS, VERT PRESS-FIT LOW-LLCR MOLEX INCORPORATED DOCUMENT NO. SD-78443-001 SHEET NO. 3 OF 6	
	DRAFT WHERE APPLICABLE MUST REMAIN WITHIN DIMENSIONS	SIZE: A3 THIS DRAWING CONTAINS INFORMATION THAT IS PROPRIETARY TO MOLEX INCORPORATED AND SHOULD NOT BE USED WITHOUT WRITTEN PERMISSION				
	REV: A2					

MODULE CARD
 DDR3 DUAL IN-LINE MEMORY MODULE FAMILY 1.00MM CONTACT CENTERS
 (JEDEC MO-269, ISSUE A, 12/05)

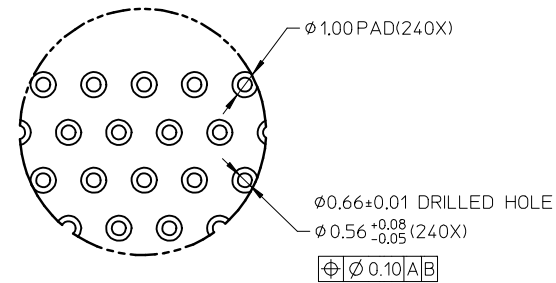
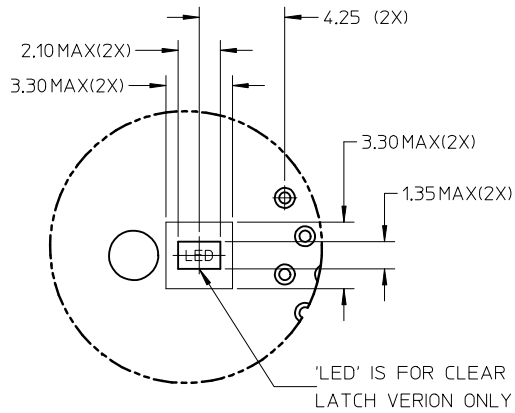
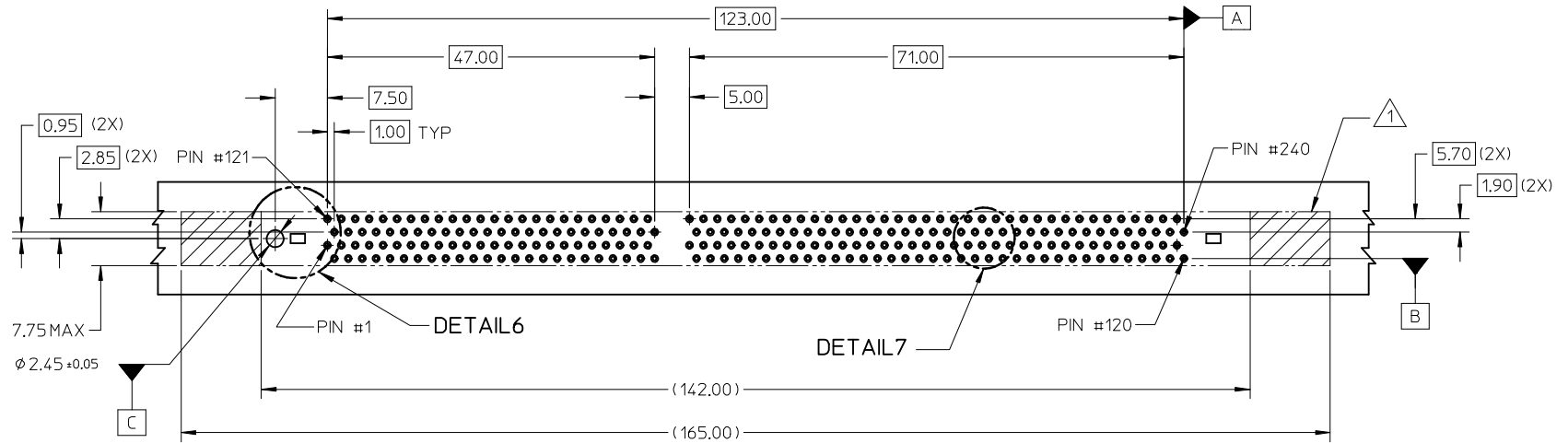


NOTES:

- RECOMMENDED PLATING FOR CONTACT PADS:
 PREFERRED: 0.76 MICROMETERS GOLD PLATING MIN
 OVER 2.00 MICROMETERS NICKEL
 ALTERNATIVE: 0.05-0.75 MICROMETERS GOLD PLATING
 OVER 2.00 MICROMETERS NICKEL MUST USE AN ELECTRONIC
 CONTACT GRADE CORROSIVE BARRIER LUBRICANT
- CHAMFER IS OPTIONAL AND IS NOT TO HIT THE GOLD PADS
- LEADING EDGE OF GOLD PADS SPECIFIED BY KEEPOUT ZONE
 SHALL BE FREE OF BURRS AND EXTERNAL TIE BARS.

REMOVE PART NO. EC NO: S2014-1201 DRWN:CGTAN 2014/04/22 CHKD:CCTEH 2014/06/11 APPR:SHLENI 2014/06/11	QUALITY SYMBOLS $F_A=0$ $F_E=0$ $F_P=0$	GENERAL TOLERANCES (UNLESS SPECIFIED)		DIMENSION STYLE	SCALE	DESIGN UNITS	THIRD ANGLE PROJECTION		
		mm	INCH	MM ONLY	NTS	METRIC			
		4 PLACES	± ---	± ---	DRAWN BY	DATE	TITLE		
		3 PLACES	± ---	± ---	CMTEO	2008/06/19	DDR3 DIMM, 100MM PITCH 240 CKTS, VERT PRESS-FIT LOW-LLCR		
			2 PLACES	± 0.2	± ---	CGTAN	2008/07/25		MOLEX INCORPORATED
			1 PLACE	± ---	± ---	SHLENI	2010/03/29		
ANGULAR ± 1 °		MATERIAL NO.	DOCUMENT NO.						
		DRAFT WHERE APPLICABLE MUST REMAIN WITHIN DIMENSIONS		SIZE	THIS DRAWING CONTAINS INFORMATION THAT IS PROPRIETARY TO MOLEX INCORPORATED AND SHOULD NOT BE USED WITHOUT WRITTEN PERMISSION				
A2	REV			A3					

10 9 8 7 6 5 4 3 2 1



DETAIL 6

DETAIL 7

NOTE:

△ KEEP OUT AREA IS THE AREA WHERE THE CONNECTOR (INCLUDING LATCH) IS MOUNTED ON THE PCB.

REMOVE PART NO. EC NO: S2014-1201 DRWN:CGTAN 2014/04/22 CHKD:CCTEH 2014/06/11 APPR:SHLENI 2014/06/11	QUALITY SYMBOLS $F_A=0$ $F_C=0$ $F_P=0$	GENERAL TOLERANCES (UNLESS SPECIFIED) mm INCH 4 PLACES ± --- ± --- 3 PLACES ± --- ± --- 2 PLACES ± 0.2 ± --- 1 PLACE ± --- ± --- ANGULAR ± 1°	DIMENSION STYLE MM ONLY DRAWN BY: CMTEO DATE: 2008/06/19 CHECKED BY: CGTAN DATE: 2008/07/25 APPROVED BY: SHLENI DATE: 2010/03/29	SCALE: NTS DESIGN UNITS: METRIC THIRD ANGLE PROJECTION	TITLE: DDR3 DIMM, 100MM PITCH 240 CKTS, VERT PRESS-FIT LOW-LLCR MOLEX INCORPORATED	
	DRAFT WHERE APPLICABLE MUST REMAIN WITHIN DIMENSIONS	MATERIAL NO.: SEE TABLE SIZE: A3	DOCUMENT NO.: SD-78443-001 SHEET NO.: 5 OF 6	THIS DRAWING CONTAINS INFORMATION THAT IS PROPRIETARY TO MOLEX INCORPORATED AND SHOULD NOT BE USED WITHOUT WRITTEN PERMISSION		

9 8 7 6 5 4 3 2 1

TIN OPTION

PART NO.	VOLTAGE KEY POS.	VOLTAGE	DIM 'P'	RECOMMENDED PCB THICKNESS	CONTACT AREA PLATING OPTION	SOLDERTAIL PLATING OPTION	HOUSING COLOUR	LATCH COLOUR	PRODUCT SPECIFICATION
78443-1001	CENTER	1.5V	3.30±0.25	3.60	0.76 MICROMETER/ 30 MICROINCH MIN. GOLD OVER 1.27 MICROMETER/ 50 MICROINCH MIN NICKEL UNDERPLATE	0.38-1.52 MICROMETER/15-60 MICROINCH TIN OVER 1.27MICROMETER/ 50 MICROINCH MIN NICKEL UNDERPLATE	BLACK	BLACK	PS-78443-001
NATURAL (OFF-WHITE)							NATURAL (OFF-WHITE)		
BLACK							NATURAL (OFF-WHITE)		

REMOVE PART NO. EC NO: S2014-1201 DRWN:CGTAN 2014/04/22 CHKD:CCTEH 2014/06/11 APPR:SHLENI 2014/06/11	QUALITY SYMBOLS	GENERAL TOLERANCES (UNLESS SPECIFIED)		DIMENSION STYLE MM ONLY		SCALE NTS	DESIGN UNITS METRIC	THIRD ANGLE PROJECTION	
	$\nabla_A=0$	mm	INCH	DRAWN BY	DATE	TITLE			
	$\nabla_C=0$	4 PLACES ± ---	± ---	CMTEO	2008/06/19	DDR3 DIMM, 100MM PITCH 240 CKTS, VERT PRESS-FIT LOW-LLCR			
	$\nabla_P=0$	3 PLACES ± ---	± ---	CHECKED BY	DATE	MOLEX INCORPORATED			
	2 PLACES ± 0.2	± ---	CGTAN	2008/07/25	APPROVED BY				
	1 PLACE ± ---	± ---	SHLENI	2010/03/29	DATE				
	ANGULAR ± 1 °		MATERIAL NO.		DOCUMENT NO.		SHEET NO.		
	DRAFT WHERE APPLICABLE MUST REMAIN WITHIN DIMENSIONS		SEE TABLE		SD-78443-001		6 OF 6		
A2	SIZE	THIS DRAWING CONTAINS INFORMATION THAT IS PROPRIETARY TO MOLEX INCORPORATED AND SHOULD NOT BE USED WITHOUT WRITTEN PERMISSION							
	A3								