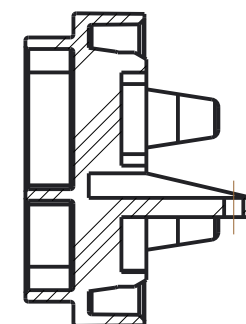
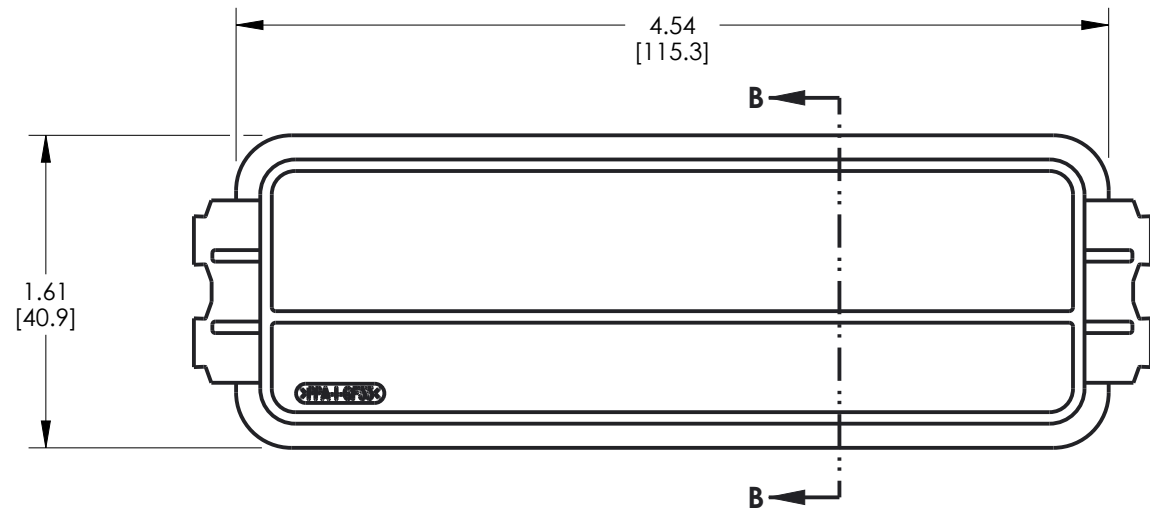


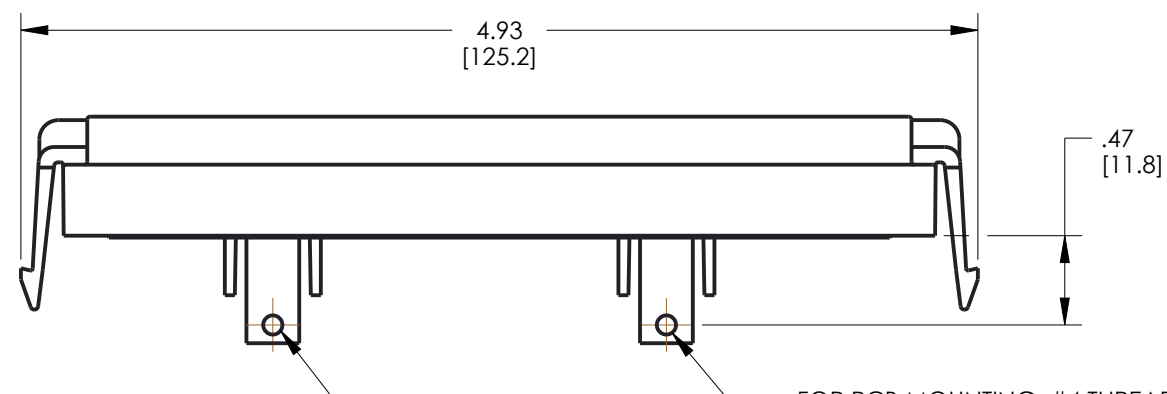
**MODICE ME BLANK HEADER**  
**PART NO. 581000055**

DRAWING REVISIONS  
 (RELEASE DATE ON FILE)

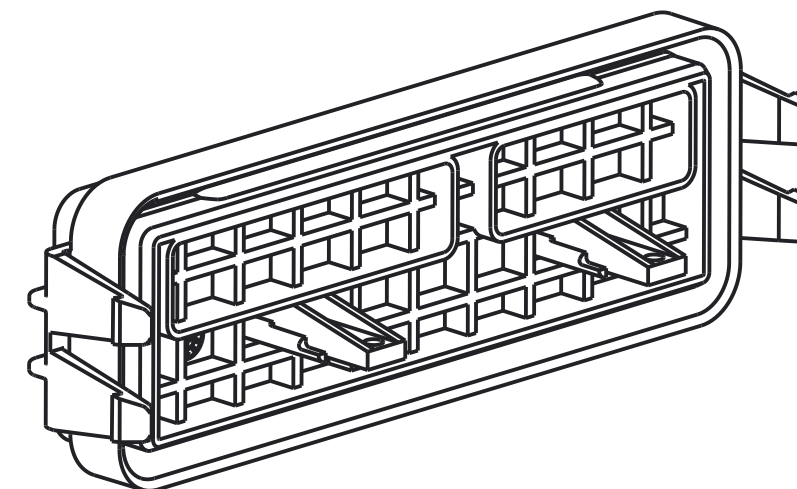
REV	DOCUMENT	APP	APPROVAL DATE
C	CO 3274	KR	7/18/16



SECTION B-B

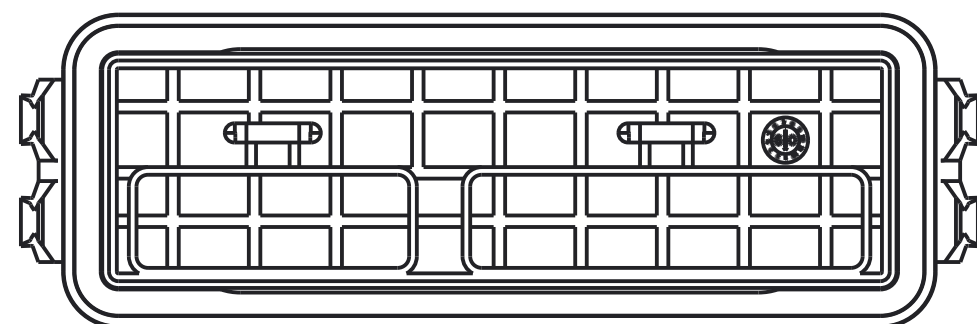


FOR PCB MOUNTING, #4 THREAD CUTTING SCREWS (TYPE 23 OR SIMILAR) ARE RECOMMENDED; TORQUE TO 2-3 IN\*LBS [0.23-0.34Nm]

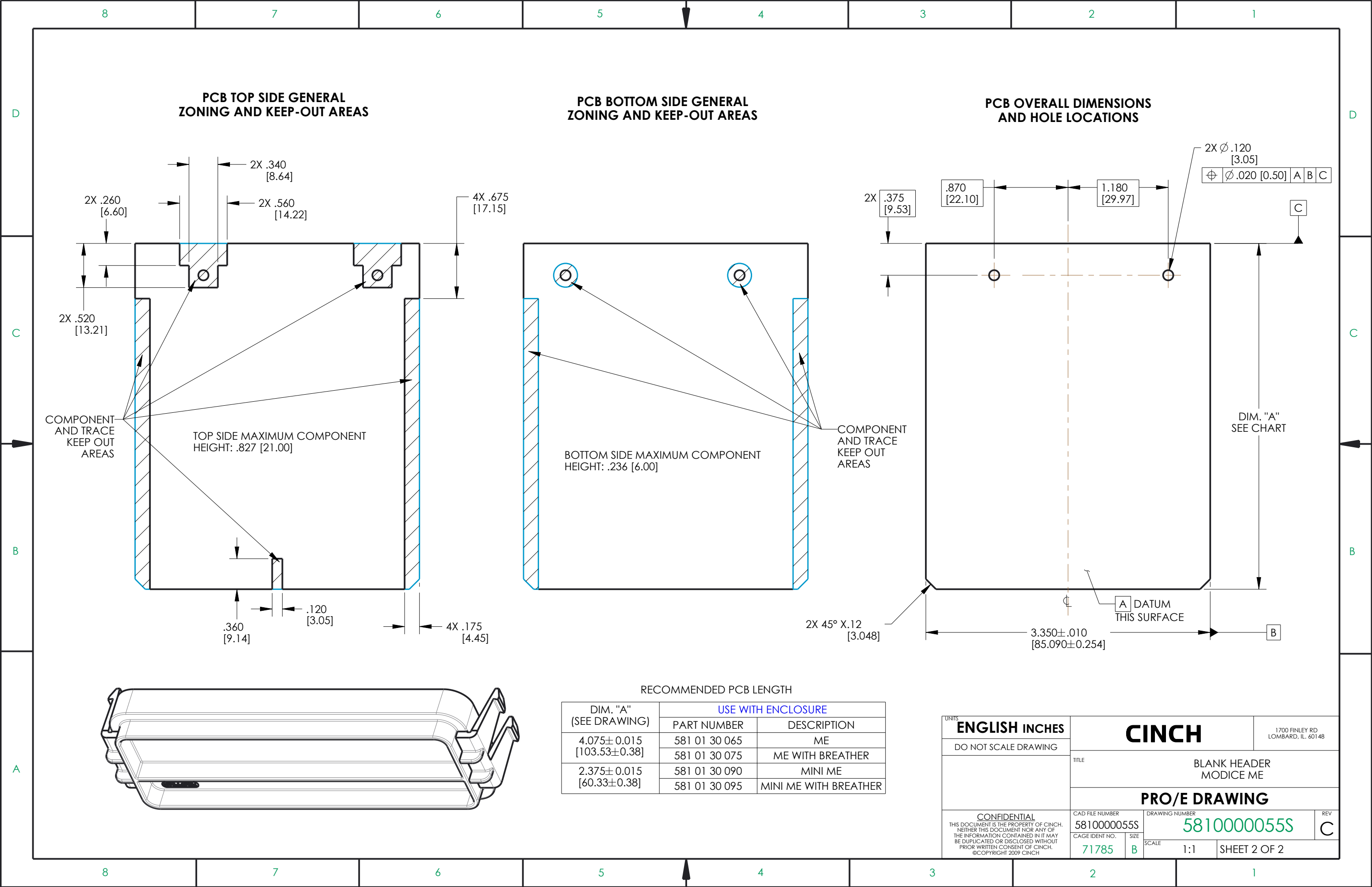


NOTES:

1. ALL DIMENSIONS ARE IN INCHES; DIMENSIONS INSIDE [.XX] ARE IN mm, AS REFERENCE ONLY
2. MATERIALS: 30% GLASS FILLED POLYMER, COLOR BLACK
3. ALL HEADERS ARE REFLOW OR WAVE SOLDERING PROCESS, ROHS COMPLIANT
4. SUGGESTED PCB THICKNESS: .062 [1.57]



UNITS <b>ENGLISH INCHES</b>		DESIGN ENGINEER A. ECKHART	DATE 5/24/11	MODELED BY: A. ECKHART
DO NOT SCALE DRAWING		PRO/E		1700 FINLEY RD LOMBARD, IL. 60148
CONFIDENTIAL THIS DOCUMENT IS THE PROPERTY OF CINCH. NEITHER THIS DOCUMENT NOR ANY OF THE INFORMATION CONTAINED IN IT MAY BE DUPLICATED OR DISCLOSED WITHOUT PRIOR WRITTEN CONSENT OF CINCH. ©COPYRIGHT 2011 CINCH		APPROVALS ON FILE		TITLE BLANK HEADER MODICE ME
		MATERIAL SPEC NUMBER		CONTROL SPEC NUMBER
		FINISH		PROJECT NUMBER A14926
		CAD FILE NUMBER 581000055S		DRAWING NUMBER 581000055S
		CAGE IDENT NO. 71785		SCALE 1:1
		SIZE B		SHEET 1 OF 2



COMPONENT AND TRACE KEEP OUT AREAS

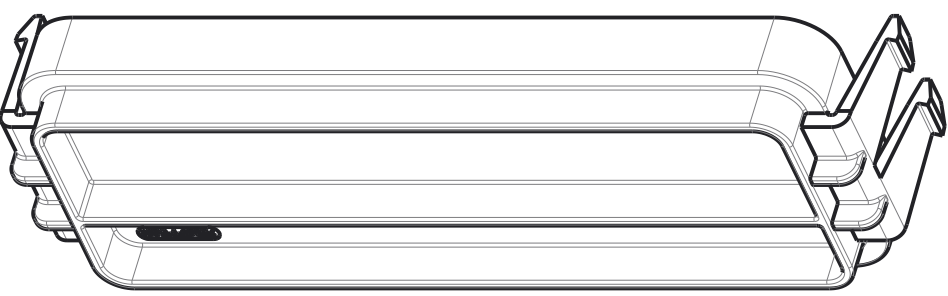
TOP SIDE MAXIMUM COMPONENT HEIGHT: .827 [21.00]

BOTTOM SIDE MAXIMUM COMPONENT HEIGHT: .236 [6.00]

COMPONENT AND TRACE KEEP OUT AREAS

DIM. "A" SEE CHART

A DATUM THIS SURFACE



RECOMMENDED PCB LENGTH

DIM. "A" (SEE DRAWING)	USE WITH ENCLOSURE	
	PART NUMBER	DESCRIPTION
4.075±0.015 [103.53±0.38]	581 01 30 065	ME
	581 01 30 075	ME WITH BREATHER
2.375±0.015 [60.33±0.38]	581 01 30 090	MINI ME
	581 01 30 095	MINI ME WITH BREATHER

UNITS: **ENGLISH INCHES**

DO NOT SCALE DRAWING

**CINCH**

1700 FINLEY RD  
LOMBARD, IL. 60148

TITLE: BLANK HEADER  
MODICE ME

**PRO/E DRAWING**

**CONFIDENTIAL**  
THIS DOCUMENT IS THE PROPERTY OF CINCH. NEITHER THIS DOCUMENT NOR ANY OF THE INFORMATION CONTAINED IN IT MAY BE DUPLICATED OR DISCLOSED WITHOUT PRIOR WRITTEN CONSENT OF CINCH. ©COPYRIGHT 2009 CINCH

CAD FILE NUMBER  
**5810000055S**

DRAWING NUMBER  
**5810000055S**

REV  
**C**

CAGE IDENT NO.  
**71785**

SIZE  
**B**

SCALE  
**1:1**

SHEET 2 OF 2