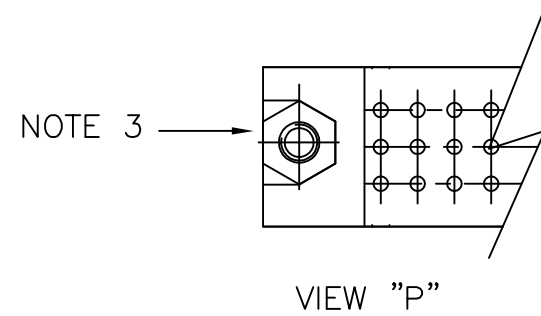
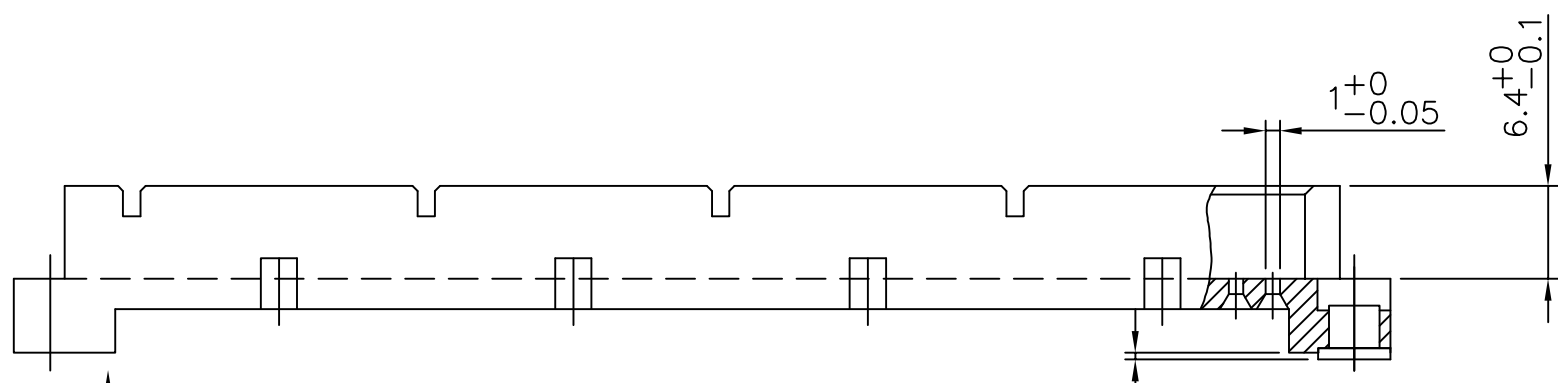
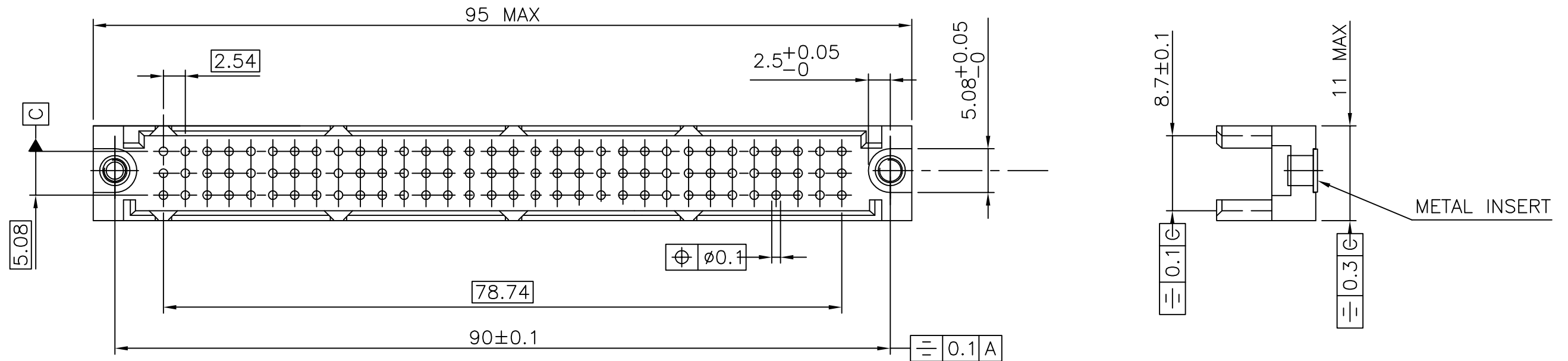


PRODUCT NUMBER	DIM "X"
70007-001	0.2
70007-002	7.45
70007-003	6.85
70007-004	5.85
70007-005	4.10

NOTES:-

1. THE "LF" PRODUCT MEETS EUROPEAN UNION DIRECTIVES AND OTHER COUNTRY REGULATIONS AS DESCRIBED IN GS-22-008.
2. LEADFREE OR RoHS DIRECTIVE LABELLING TO BE PROVIDED AS PER GS-14-920.
3. " LF " SUFFIX TO PRODUCT NUMBER FOR RoHS COMPATIBLE/ LEADFREE VERSION.
4. PARTS WITH AND WITHOUT "LF " SUFFIX ARE FORM-FIT AND FUNCTIONALLY IDENTICAL.
" LF " SUFFIX PROVIDED FOR PART NUMBER STANDARDISATION OF PART THAT MEETS RoHS REQUIREMENTS.
5. MAXIMUM TORQUE OF SCREWS: 10 N/cm



MATERIAL : POLYESTER, UL-94-VO
COLOUR: GREY, RAL 7035

mat'l. code				surface		tolerance		projection		product family	
SEE NOTE				ISO 1302	✓	ISO 406	ISO 1101			DIN BP	
ltr	ecn no	dr	date	tolerances unless otherwise specified		mm		scale 2:1		title	
K	I06-0082	MINI	2006-06-01	angles	linear					Backp. Shroud GROUNDING	
D	H70324	BKU	1997-06-09							dwg no	
E	H90498	HME	1999-09-13							sheet 1 of 1	
F	H90566	VIB	1999-09-24	dr	B. Kuiper	1997-06-09				size	
G	F00881	VIB	2001-01-22	enr	JF NOTTEAU	1997-06-09				A3	
H	I05-0123	MINI	200-50-727	chr	Rakhee George	2006-06-01				type	
J	I05-0248	MINI	2005-11-22	appd	Rakhee George	2006-06-01				CUSTOMER Drawing	
sheet index	revision sheet	K	1								

Copyright FCI
 FCIconnect.com