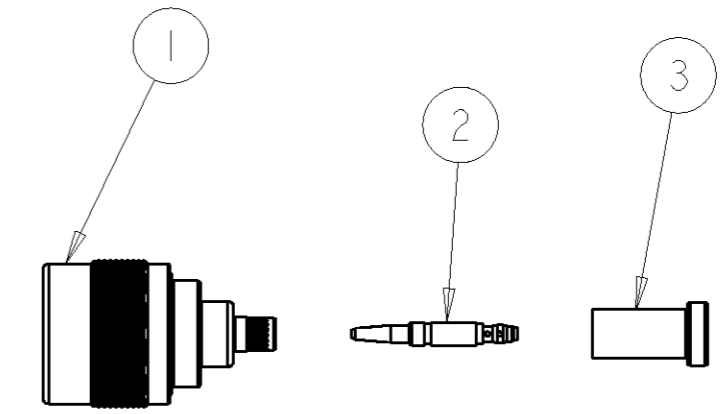
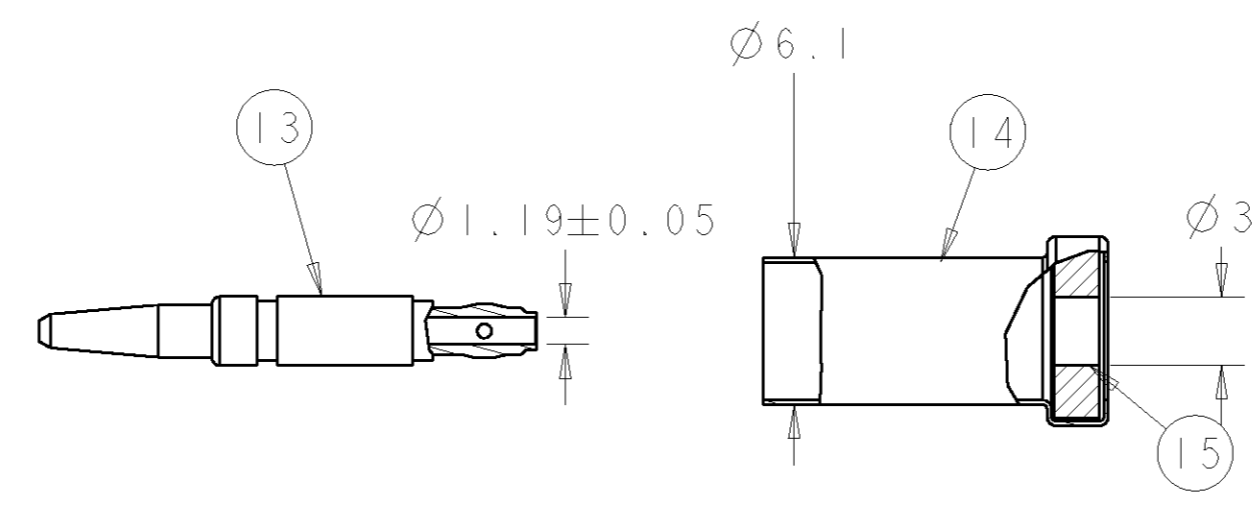
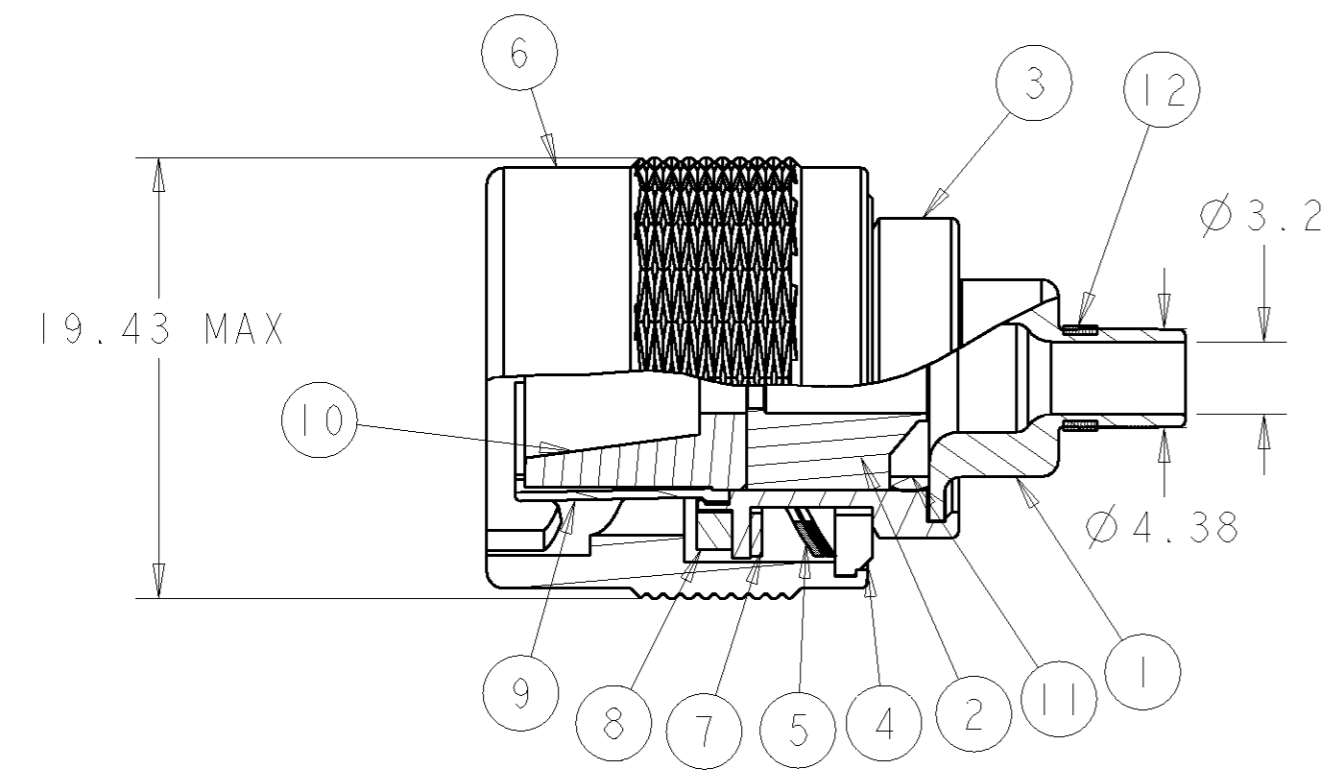


THIS DRAWING IS UNPUBLISHED. RELEASED FOR PUBLICATION 20
 © COPYRIGHT 20 BY TYCO ELECTRONICS CORPORATION. ALL RIGHTS RESERVED.

LOC	DIST	REVISIONS					
B	E	P	LTR	DESCRIPTION	DATE	DWN	APVD
		A		ECR-08-009407	14/04/08	MJG	JA
		B		ECR-08-019535	04/08/08	MJG	JA



NOTES:

- ① ELECTROPLATE SILVER OVER COPPER (TARNISH RESISTANT)
- ② ELECTROPLATE SILVER
- ③ ELECTROPLATE GOLD OVER NICKEL
- ④ ELECTROPLATE NICKEL
- 5. FOR USE ON CABLE FILECA F1703/4
- 6. CRIMP WITH HAND TOOL 220045-2
- 7. PRODUCT WEIGHT APPROX 28g

QTY	FINISH	MATERIAL	DESCRIPTION	ITEM	DESCRIPTION	COMPONENT	
1	NONE	SILICONE RUBBER	SEAL	15	PLUG ASSEMBLY SERIES C	FERRULE ASSY	
1	①	BRASS	FERRULE	14			
1	③	BeCu	CONTACT	13			CONTACT
1	NONE	SILICONE RUBBER	SEAL	12			
1	①	BRASS	BUSHING	11			
1	NONE	PTFE	DIELECTRIC	10			
1	①	BeCu	OUTER CONTACT	9			
1	NONE	SILICONE RUBBER	GASKET	8			
1	NONE	PTFE	SPLIT WASHER	7			
1	①	BRASS	COUPLING NUT	6			
2	①	BeCu	SPRING WASHER	5			
2	④	BRASS	HALF WASHER	4			
1	①	BRASS	BODY	3			
1	NONE	PTFE	DIELECTRIC	2			
1	①	BRASS	INNER FERRULE	1			

THIS DRAWING IS A CONTROLLED DOCUMENT FOR TYCO ELECTRONICS CORPORATION. IT IS SUBJECT TO CHANGE AND THE CONTROLLING ENGINEERING ORGANIZATION SHOULD BE CONTACTED FOR THE LATEST REVISION.

DWN: M. GREENER 24/09/07
 CHK: J. AMBROSE 24/09/07
 APVD: J. AMBROSE 24/09/07

TOLERANCES UNLESS OTHERWISE SPECIFIED:
 0 PLC ±0.4
 1 PLC ±0.4
 2 PLC ±0.4
 3 PLC ±0.4
 4 PLC ±
 ANGLES ±2

PRODUCT SPEC: 108-12005
 APPLICATION SPEC: -
 WEIGHT: -

Customer Drawing

Tyco Electronics Tyco Electronics UK Ltd. Bideford, North Devon, EX39 4HE

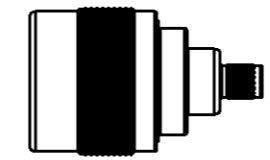
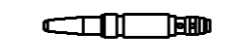
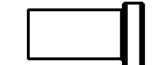
NAME: C SERIES PLUG CRIMP 50 OHM FILECA 1703/4

SIZE: A2 CAGE CODE: 00779 DRAWING NO: 134289 RESTRICTED TO: -
 SCALE: 1:1 SHEET 1 OF 2 REV B

THIS DRAWING IS UNPUBLISHED. RELEASED FOR PUBLICATION 20
 © COPYRIGHT 20 BY TYCO ELECTRONICS CORPORATION. ALL RIGHTS RESERVED.

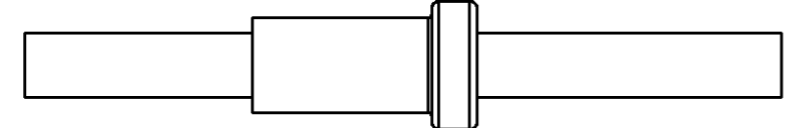
LOC	DIST	REVISIONS					
B	E	P	LTR	DESCRIPTION	DATE	DWN	APVD
		-		SEE SHEET 1	-	-	-

COMPONENTS

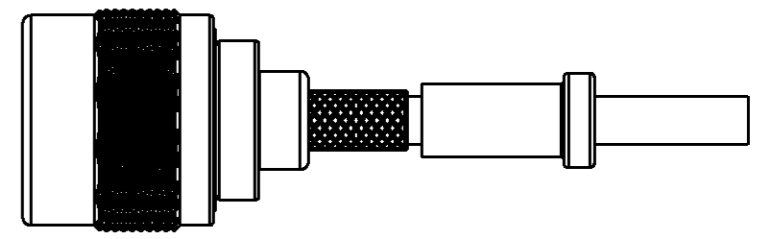
	MAIN BODY	CONTACT	FERRULE
			

FOR CABLE SEE FRONT SHEET

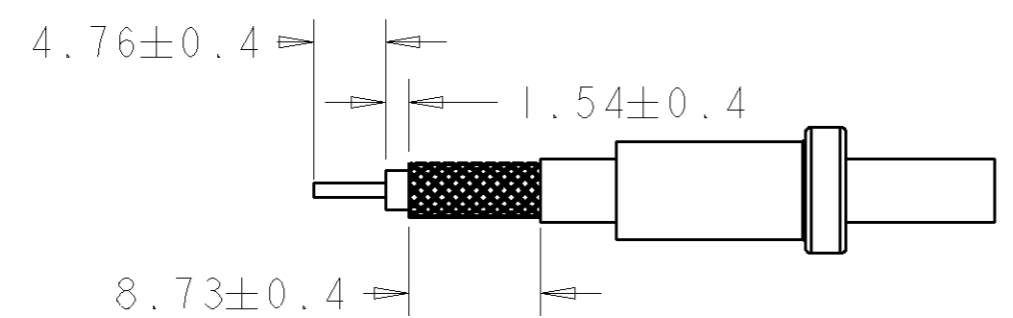
STEP 1:
1. SLIDE FERRULE OVER CABLE



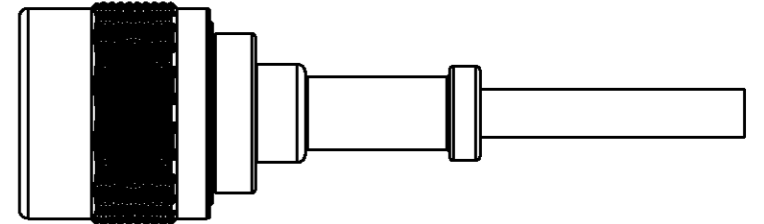
STEP 4:
1. PRESS CABLE SUB ASSEMBLY INTO BODY UNTIL CONTACT IS FULLY LOCATED ON DIELECTRIC
2. ENSURE THE KNURLED FERRULE INSERTS BETWEEN THE DIELECTRIC AND CABLE BRAID



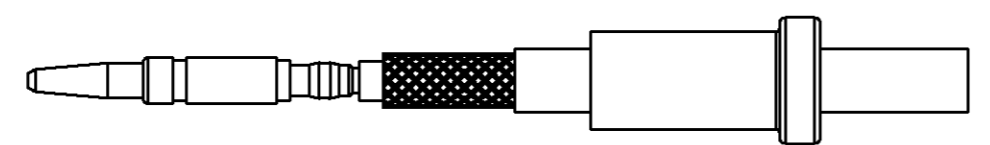
STEP 2:
1. STRIP CABLE TO DIMENSIONS SHOWN
2. OPTIONAL TINNING OF CONTACT HERE REQUIRED



STEP 5:
1. SLIDE CRIMP FERRULE UNTIL IT BUTTS AGAINST THE HOUSING BODY
2. CRIMP USING TOOL 220045-2



STEP 3:
1. FIT CONTACT OVER CENTRE CONDUCTOR TO BUTT AGAINST DIELECTRIC
2. SOLDER CONTACT TO CONDUCTOR



THIS DRAWING IS A CONTROLLED DOCUMENT FOR TYCO ELECTRONICS CORPORATION IT IS SUBJECT TO CHANGE AND THE CONTROLLING ENGINEERING ORGANIZATION SHOULD BE CONTACTED FOR THE LATEST REVISION.		DWN M. GREENER 24/09/07	Tyco Electronics UK Ltd. Bideford, North Devon, EX39 4HE	
DIMENSIONS: mm		CHK J. AMBROSE 24/09/07	NAME C SERIES PLUG CRIMP 50 OHM FILECA 1703/4	
TOLERANCES UNLESS OTHERWISE SPECIFIED: 0 PLC ±0.5 1 PLC ±0.5 2 PLC ±0.5 3 PLC ±0.5 4 PLC ± ANGLES ±0.5 FINISH		APVD J. AMBROSE 24/09/07	RESTRICTED TO -	
MATERIAL SEE TABLE		PRODUCT SPEC 108-12005	SIZE A200779	DRAWING NO G-134289
		APPLICATION SPEC -	SCALE 1:1	SHEET 2 OF 2
		WEIGHT -	REV B	
		CUSTOMER DRAWING		