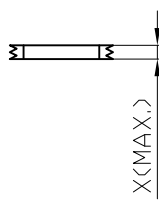


1 2 3 4 5 6 7

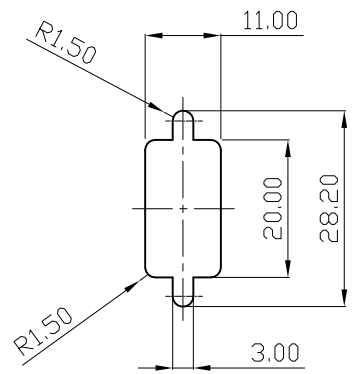
A



B

Panel Thickness
Screw L=5.0 For Panel Thickness Under 1.2mm
Screw L=6.0 For Panel Thickness Between 1.2-2.0mm

C



Recommended Panel Cut-Out

D

E

F

G

H

A

B

C

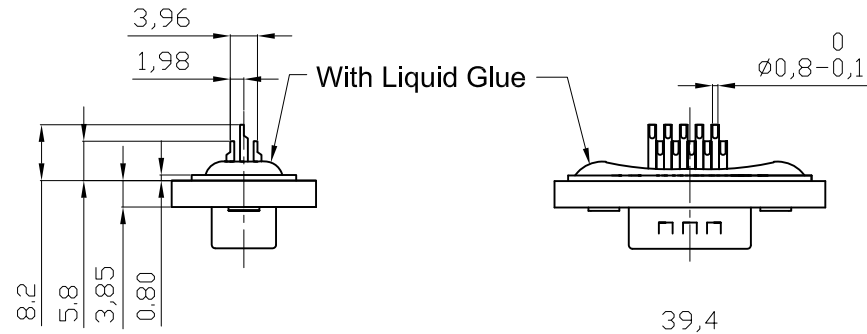
D

E

F

G

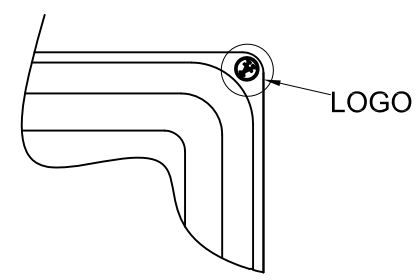
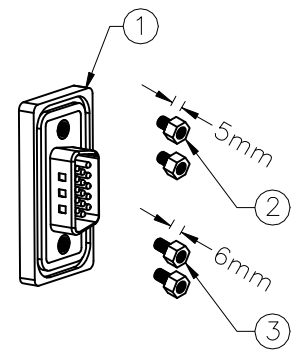
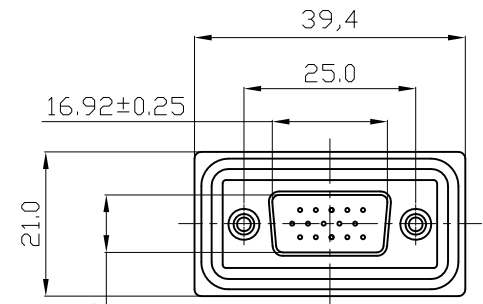
H



NOTES:

MATERIAL

1. Insulator Material: Black, NYLON+G/F
2. Contact Material : Copper Alloy
3. Plating : Gold Plating
4. Waterproof Rate: IP67
5. Do Mating Test After Glued
6. Applicable Wire Range: 24AWG-28AWG
7. LOGO



RoHS compliant

Scale	1:1					Date	Name	Customer-No.		
TOLERANCE					Drawn	24.12.2008	JACK			
X.X	±0.25				Approved	24.12.2008	Hellwig	ASSMANN WSW-No.		
X.XX	±0.10							A-HDS 15 LL-WP		
X.XXX	±0.05							Drawing-No.		
DIM	TOL							ASS 3276 CO	rev01	
ANGLE	±1°									
X.X°	±X°	①	Drawn	24.12.2008				JACK		
Angle	TOL	Id.	Modification	Date				Name	Replace	Sheet

1 2 3 4 5 6 7