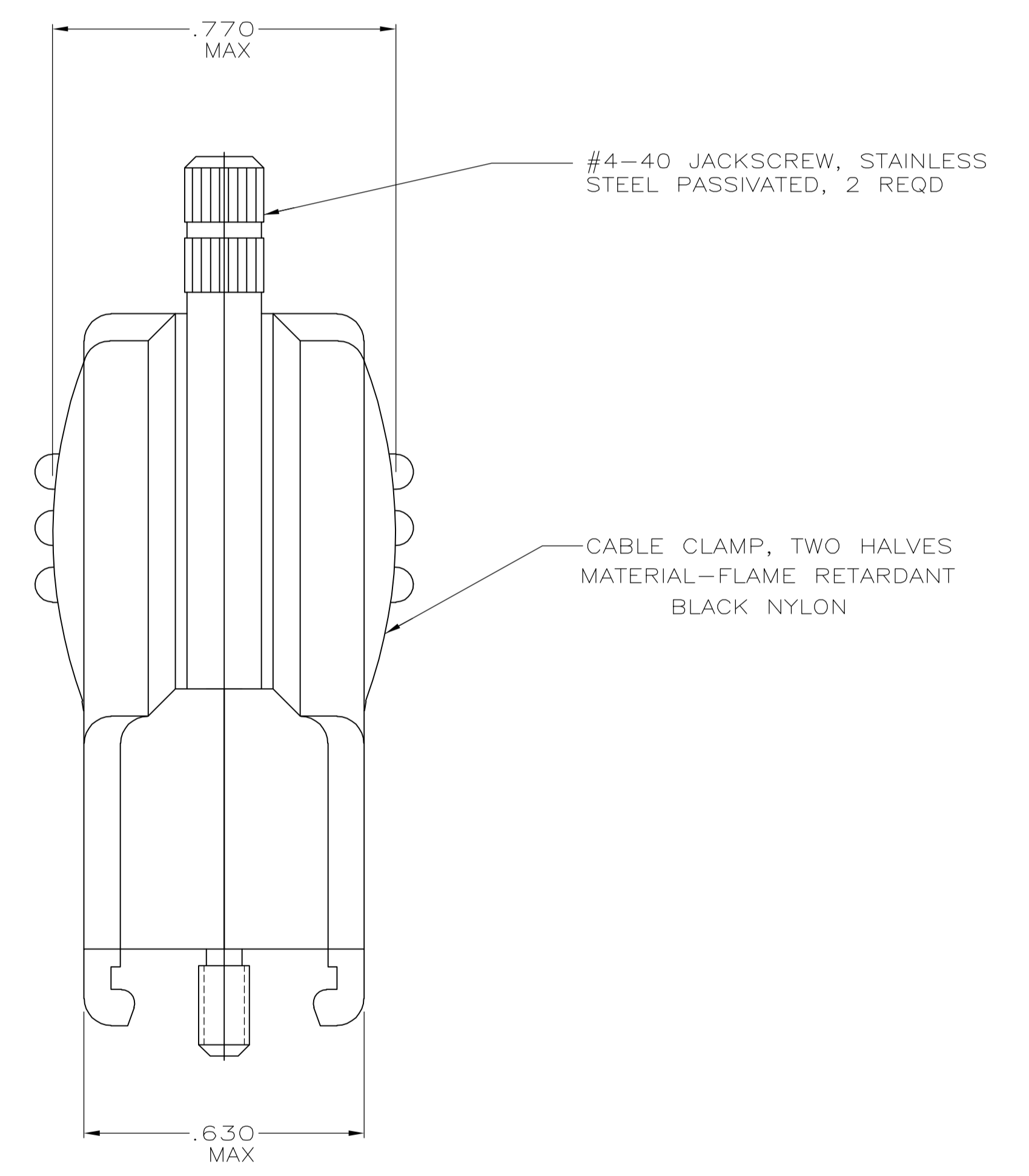
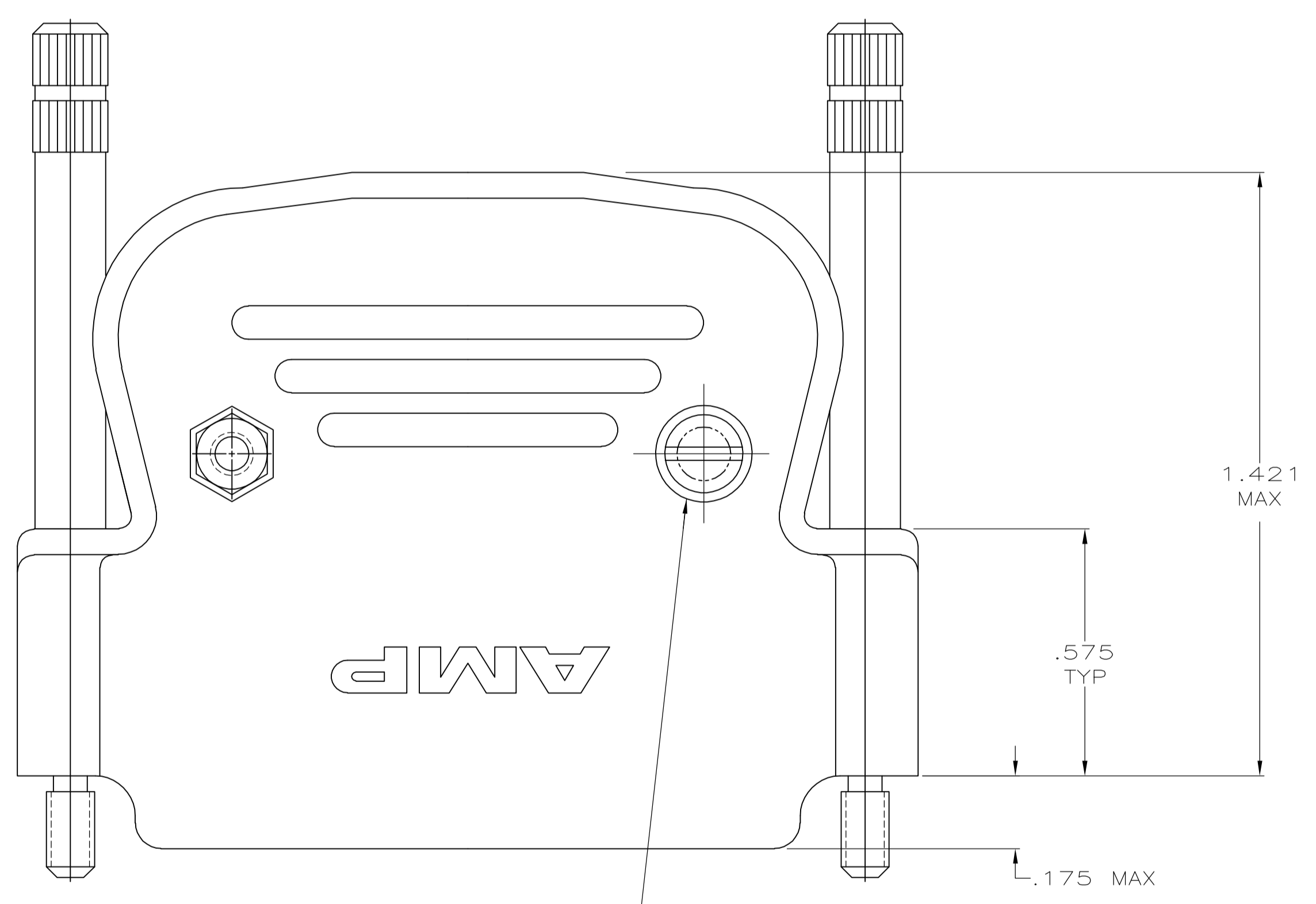


CABLE GATES



1. PARTS PACKAGED UNASSEMBLED.

5745121-2
PART NO.

THIS DRAWING IS A CONTROLLED DOCUMENT.		DWN R. RICHARDSON 14SEP05	14SEP05	 Tyco Electronics Corporation Harrisburg, PA 17105-3608
DIMENSIONS: INCHES		CHK C. ROHDE 14SEP05	14SEP05	
TOLERANCES UNLESS OTHERWISE SPECIFIED:		APVD M. WALMSLEY 14SEP05	14SEP05	NAME STRAN RELIEF ASSEMBLY, SIZE 3, 25 POSITIONS, AMPLIMITE
0 PLC ± -	1 PLC ± -	2 PLC ± -	3 PLC ± .005	PRODUCT SPEC
4 PLC ± -	ANGLES ± -	APPLICATION SPEC		RESTRICTED TO
MATERIAL SEE CALLOUTS	FINISH SEE CALLOUTS	WEIGHT	SIZE A1	CAGE CODE 00779
CUSTOMER DRAWING		SCALE 4:1	SHEET 1 of 1	REV 0