

CONTENTS: (#) indicates FCE2U quantity

1 - ENCLOSURE	3 (4) - CABLE ENTRY GROMMETS	4 - #12-24 x 1/2" SCREWS
2 (3) - Tak-Tys, 6" pcs.	4 - #M6 x 1 SCREWS	1 - CAUTION LABEL
2 (3) - ADHESIVE MOUNTS	1 (2) - STRAIN RELIEF BRACKET	1 - LASER WARNING LABEL
2 - SLACK SPOOLS	4 - CABLE TIES, PLT2S-M0	3 - ADHESIVE BEVEL ENTRY CLIPS
1 (2) - #10-32 x 3/8" SCREW	2 (4) - PLUNGER AND GROMMETS	
3 (4) - #10-32 HEX NUTS	2 (4) - BEND RADIUS CONTROL CLIPS	

WARNING: UNMATED CONNECTORS MAY EMIT INVISIBLE LASER RADIATION. DO NOT LOOK DIRECTLY INTO THE END OF THE CONNECTOR. DO NOT INSPECT WITH MAGNIFYING DEVICES. MAINTAIN DUST CAPS ON UNMATED CONNECTORS.

CAUTION:

Fiber optic cable is sensitive to excessive pulling, bending, and crushing forces. Consult the manufacturer's cable specification sheet for the specific cable in use.

Follow TIA/EIA-568-A, 569, 606, and 607 installation guidelines where applicable.

Care should be taken when opening or closing a fully loaded drawer in order to protect the fiber components.

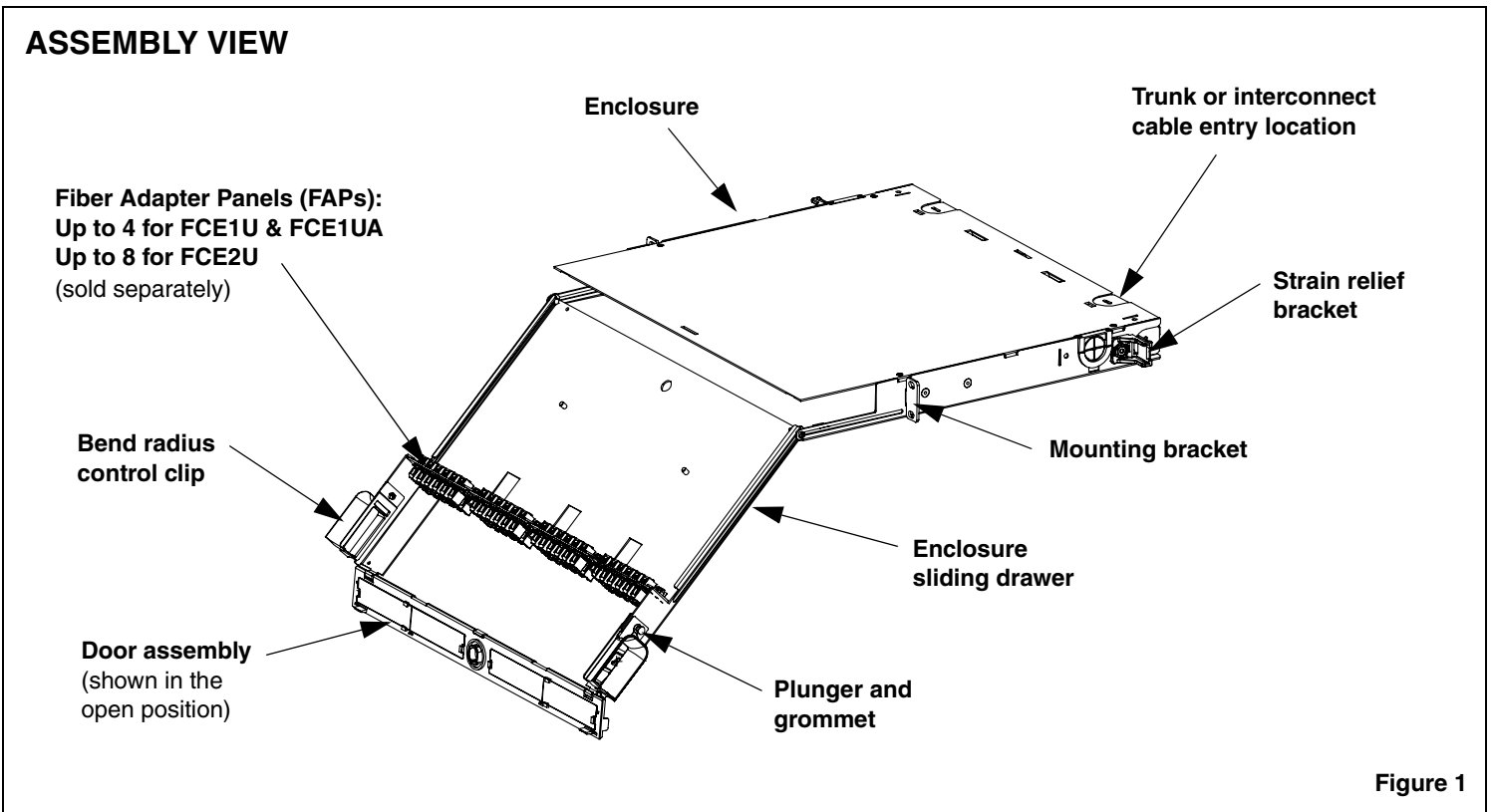
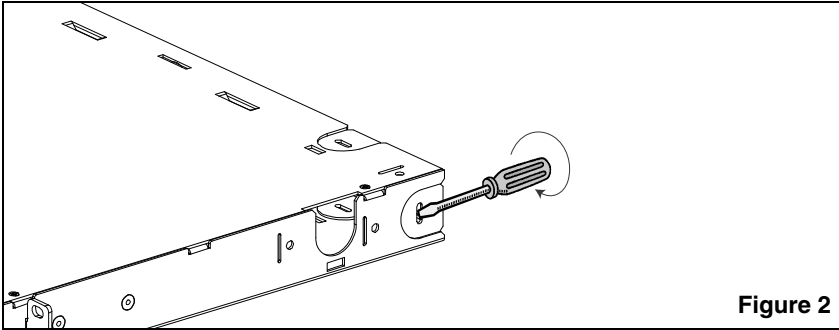


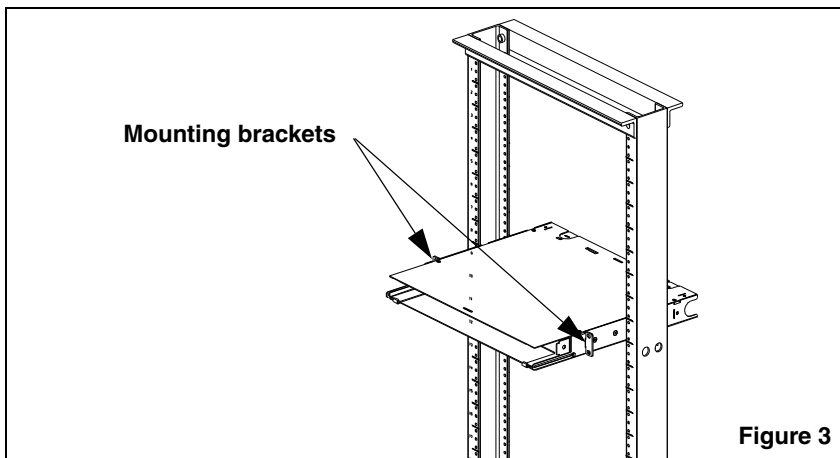
Figure 1

Preparation and Rack Mounting

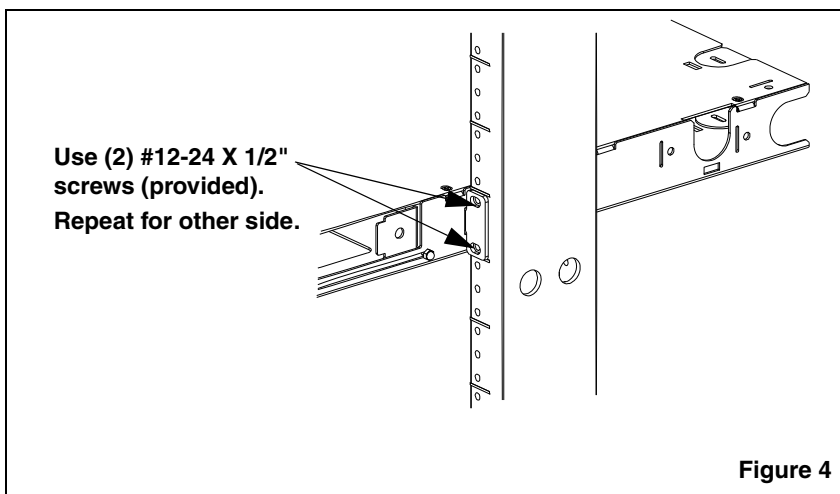


Determine where the cable will enter the enclosure. Carefully remove the knock-out so as not to damage the surrounding sheet metal.

DO NOT Install grommet at this stage. Grommet will be installed after the enclosure is mounted to the rack.



Place the mounting brackets at the desired position on the rack.



Mount the enclosure to the rack using (4) #12-24 x 1/2" screws.

Use (4) M6 x 1 screws if mounting to a metric rack.

Grommet Cutting Diagram

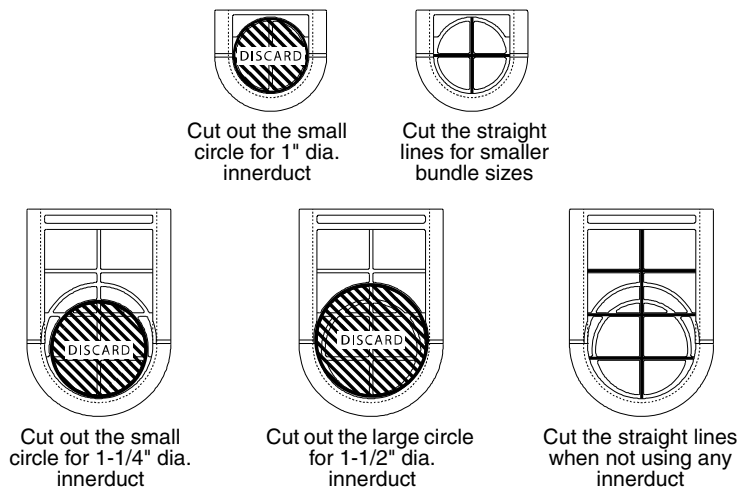


Figure 5

After the enclosure is mounted to the rack, determine the size of the innerduct that will be used to bring the cable into the enclosure. Prepare grommet(s) according to the proper cutting diagram to the left.

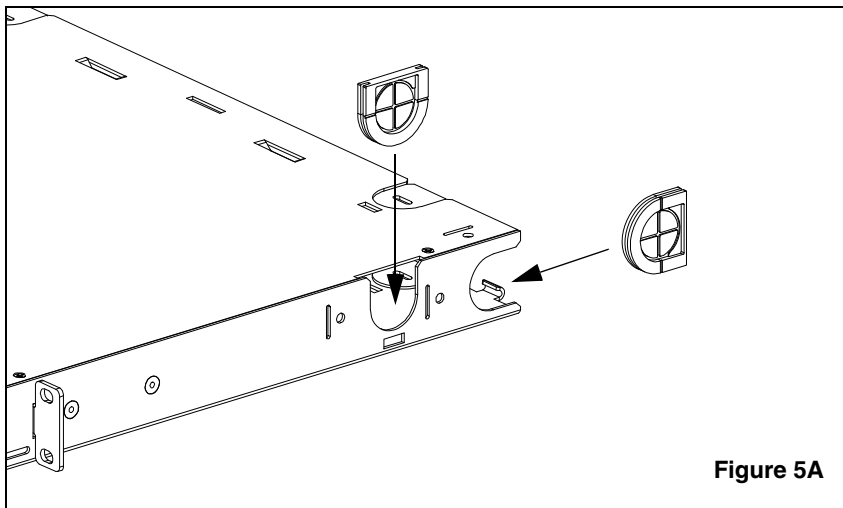


Figure 5A

Install grommets as desired.

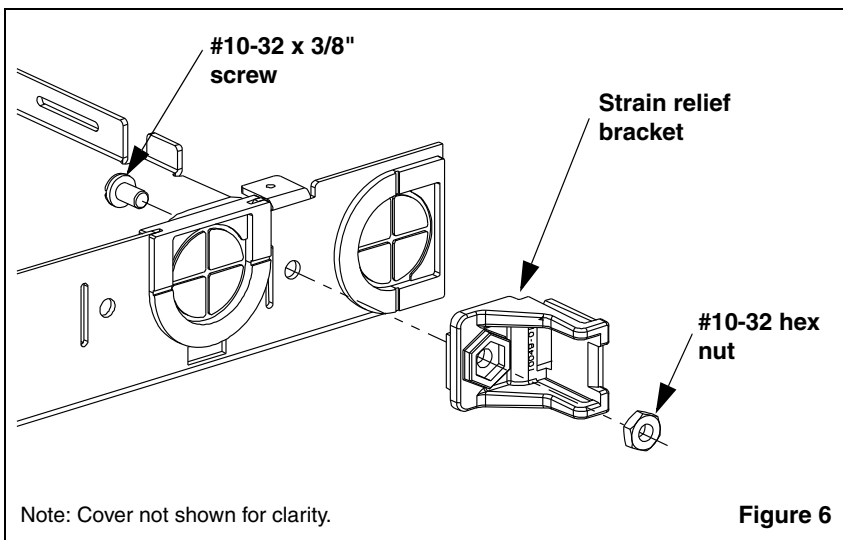
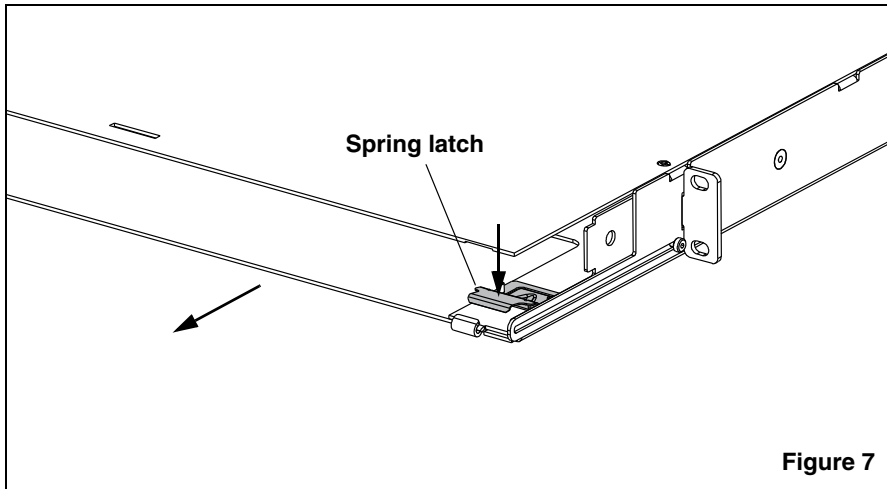


Figure 6

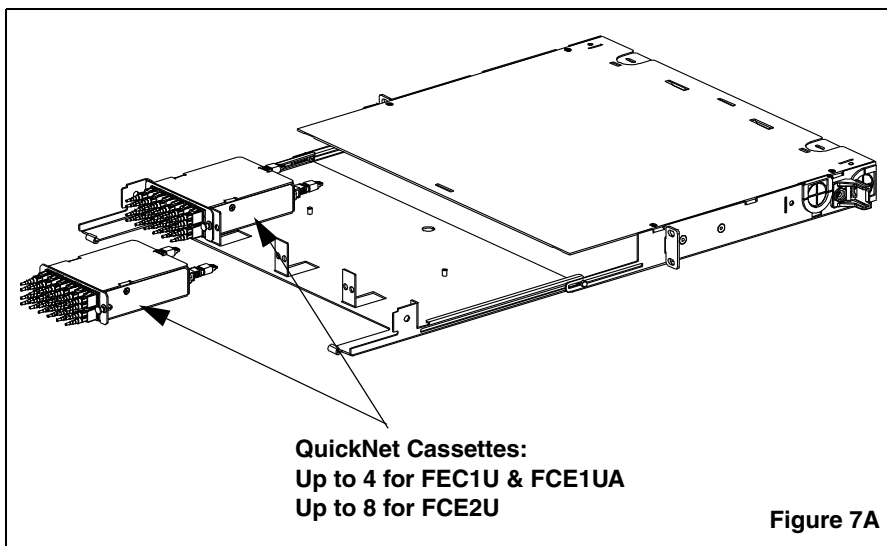
Install the strain relief bracket near where the cable will enter the enclosure. Secure with #10-32 x 3/8" screw and #10-32 hex nut.

QuickNet Cassette Installation (cassettes not included)



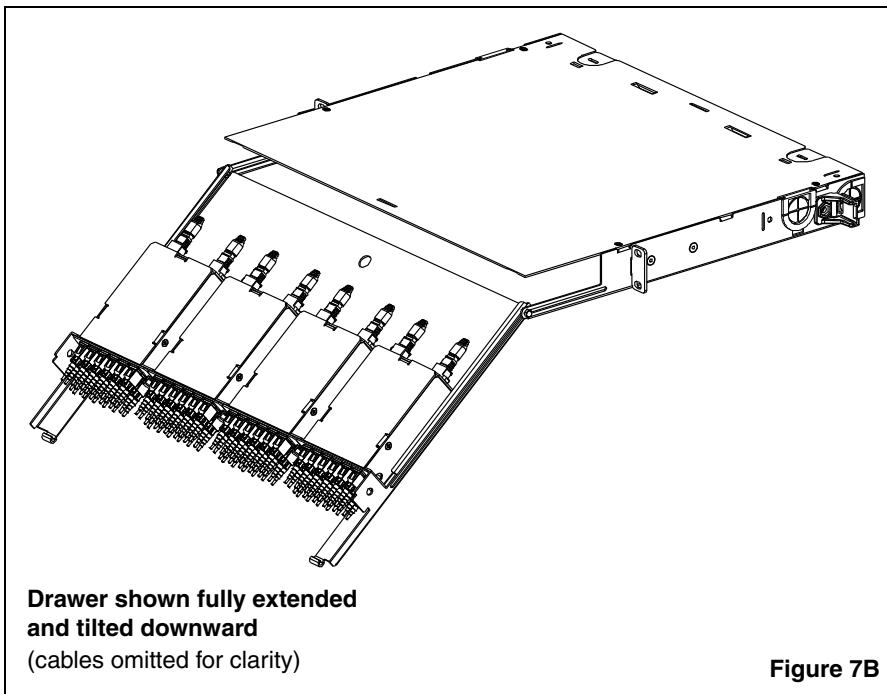
Depress spring latch and pull sliding tray out to the extended position.

Figure 7



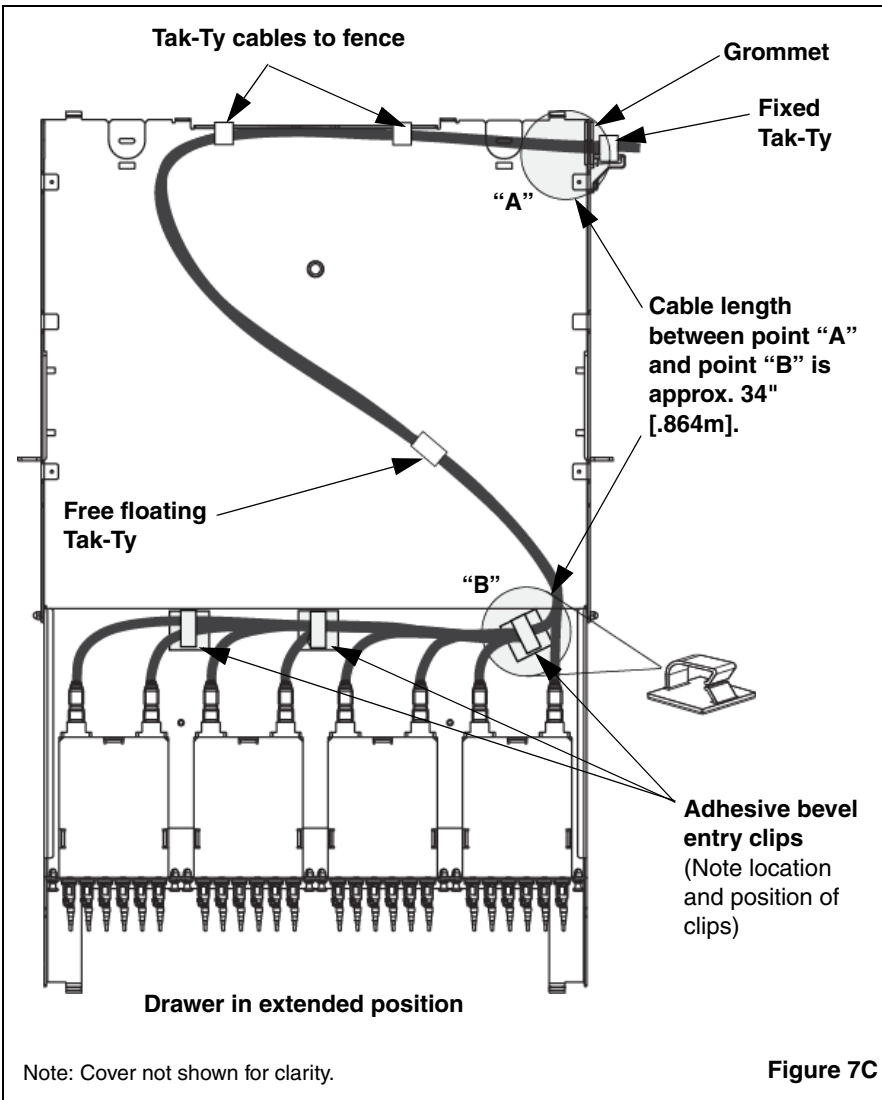
Insert QuickNet Pre-Terminated Fiber Optic Cassettes into the enclosure as shown. Once mounted, fully seat NyLatch fasteners to secure the cassettes.

Figure 7A



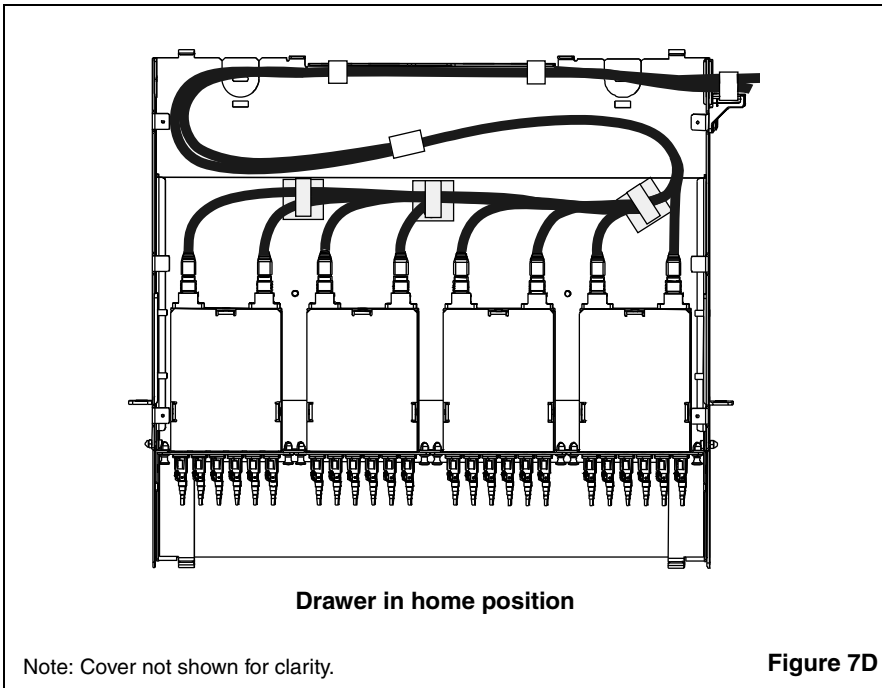
Fully extend drawer to ensure proper amount of slack is used.

Figure 7B



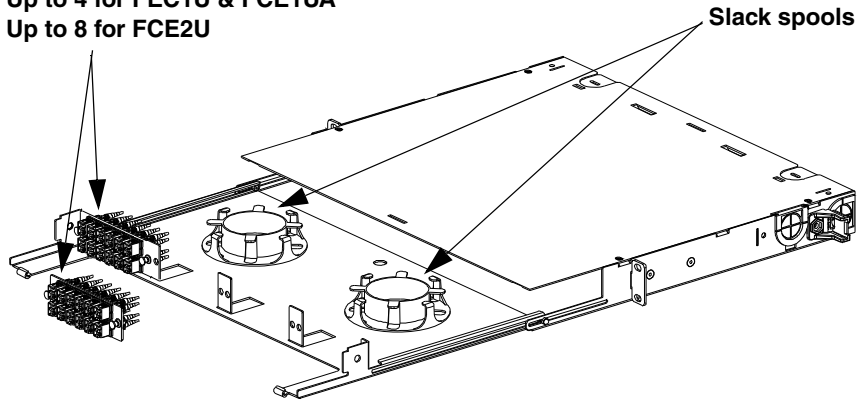
Route fiber through grommet to fiber cassettes as shown. Leave enough slack so when the drawer is fully extended the cables are not put under tension. DO NOT use so much slack that the drawer cannot be returned to its home position. (See Figure 7D)

Use Tak-Tys to secure fiber cords at cable entry location and other points as shown.



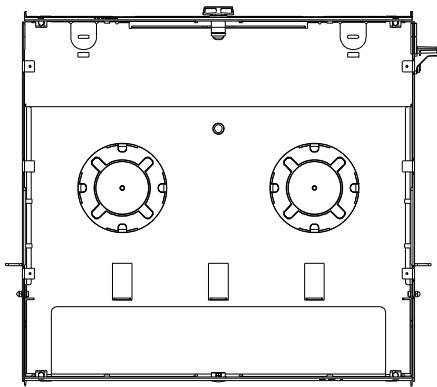
Field Termination or Pre-Terminated Trunk Installation

Fiber Adapter Panels (FAPs):
Up to 4 for FEC1U & FCE1UA
Up to 8 for FCE2U



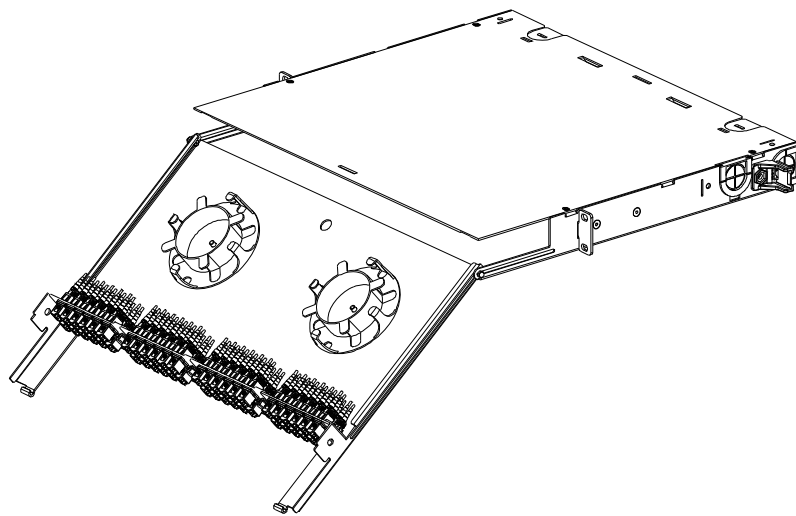
Place slack spools over #10-32 studs on sliding tray. Secure with #10-32 hex nuts and/or adhesive mounts (make sure to punch hole into adhesive mounts). Note spool orientation.

Position FAPs between upright flanges as shown. Once mounted, fully seat NyLatch fasteners to secure FAPs.



Top view, cover not shown for clarity.
Please note orientation of spools.

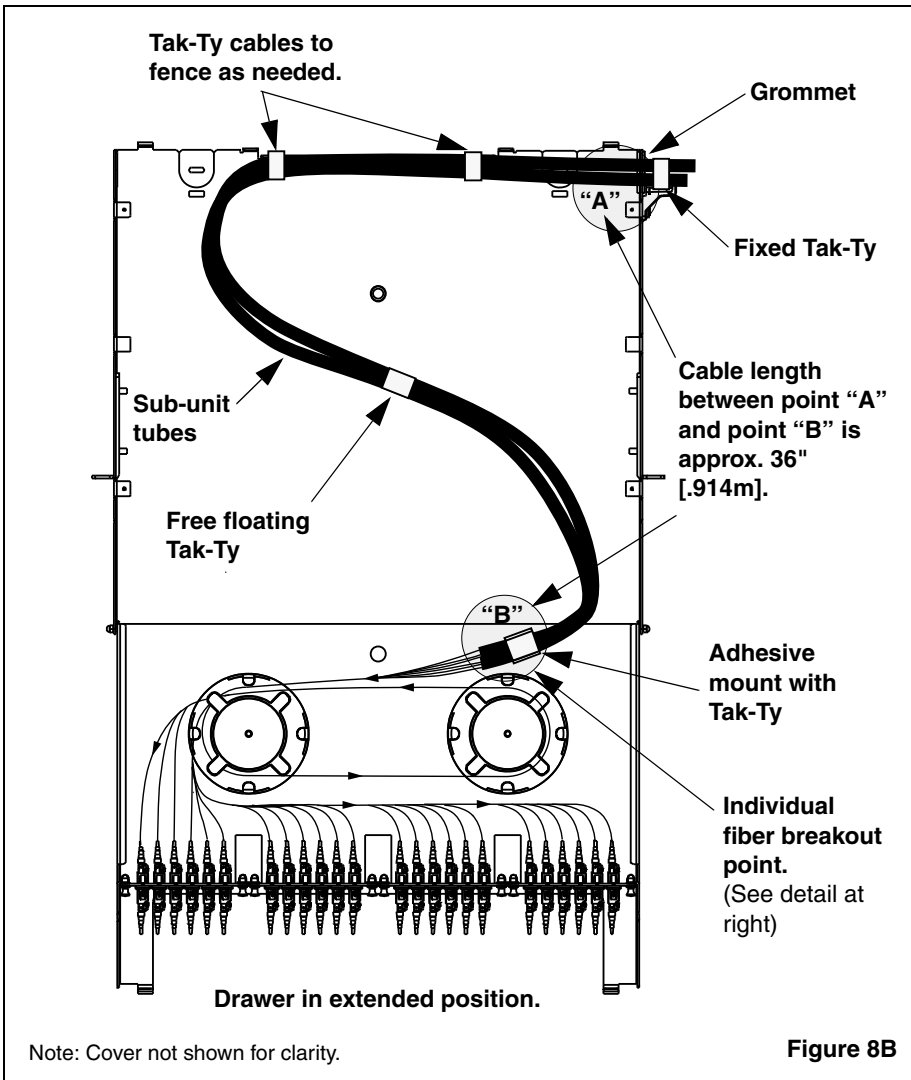
Figure 8



Drawer shown fully extended
and tilted downward
(cables omitted for clarity)

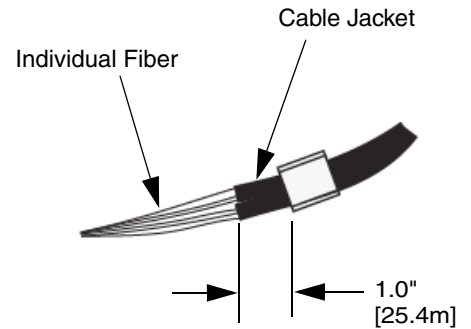
Fully extend drawer to ensure proper amount of slack is used.

Figure 8A

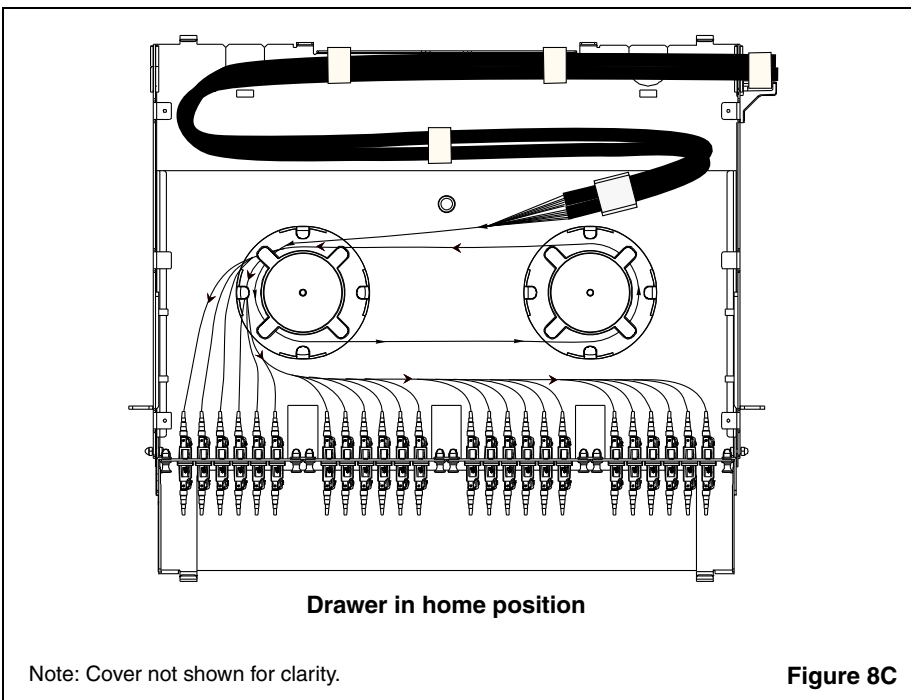


Route fiber through grommet as shown. Use enough cable length to ensure one complete loop (approx. 52" [1.32m]) of individual fibers around slack spools. Leave enough jacketed slack so when the drawer is fully extended the cables are not put under tension. DO NOT use so much slack that the drawer cannot be returned to its home position (See Figure 8C).

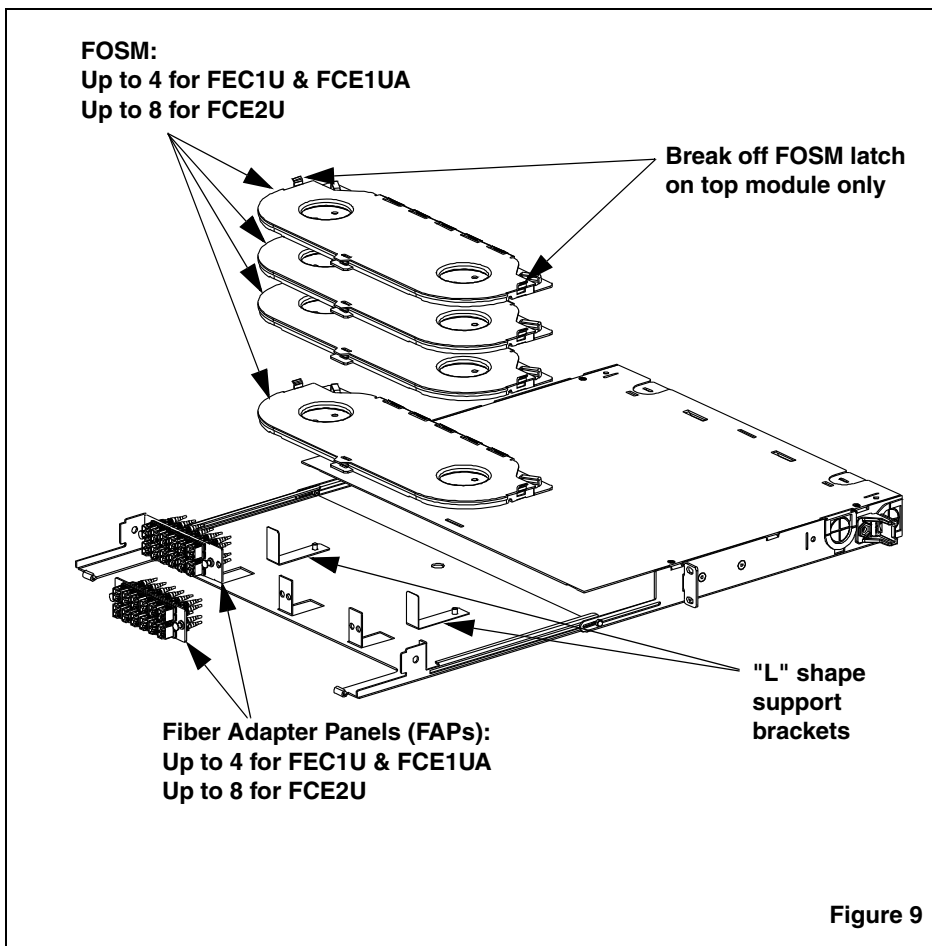
Use Tak-Tys to secure fiber cords at cable entry location and other points as shown.



Fiber Breakout Detail
 Be sure adhesive mount secures jacketed trunk cable. DO NOT clip individual 900µm buffered fibers.



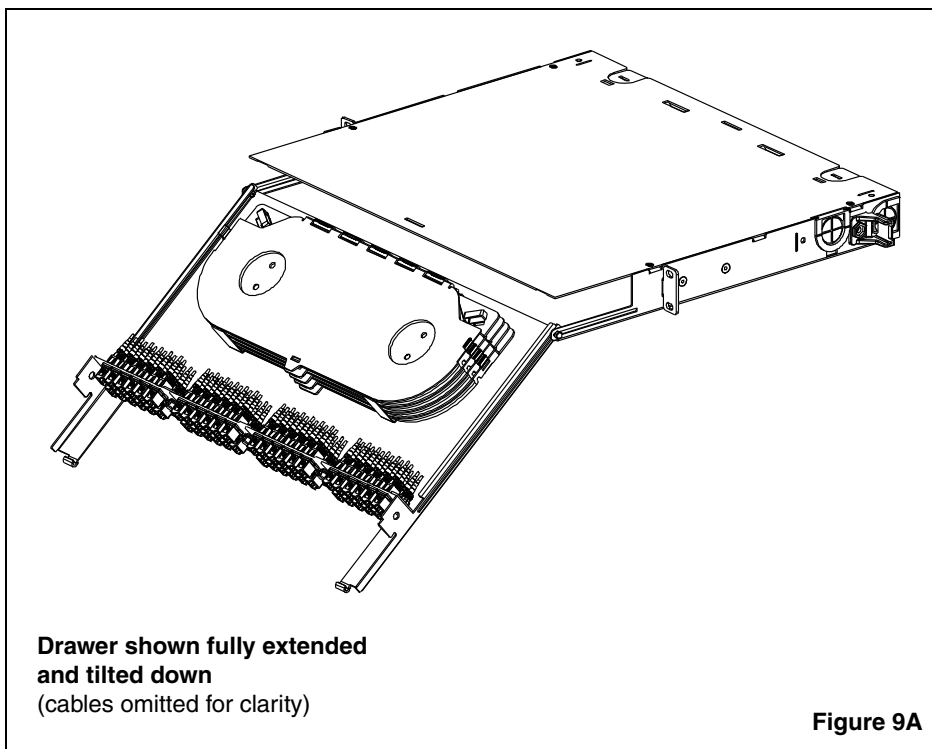
FOSM Fiber Optic Splice Module Installation (FOSMs not included)



Place "L" shape support brackets over #10-32 studs on sliding tray, note orientation. Place first FOSM on top of "L" shape support brackets and secure with #10-32 hex nuts. Remaining FOSMs are stacked on top of each other and snap in place.

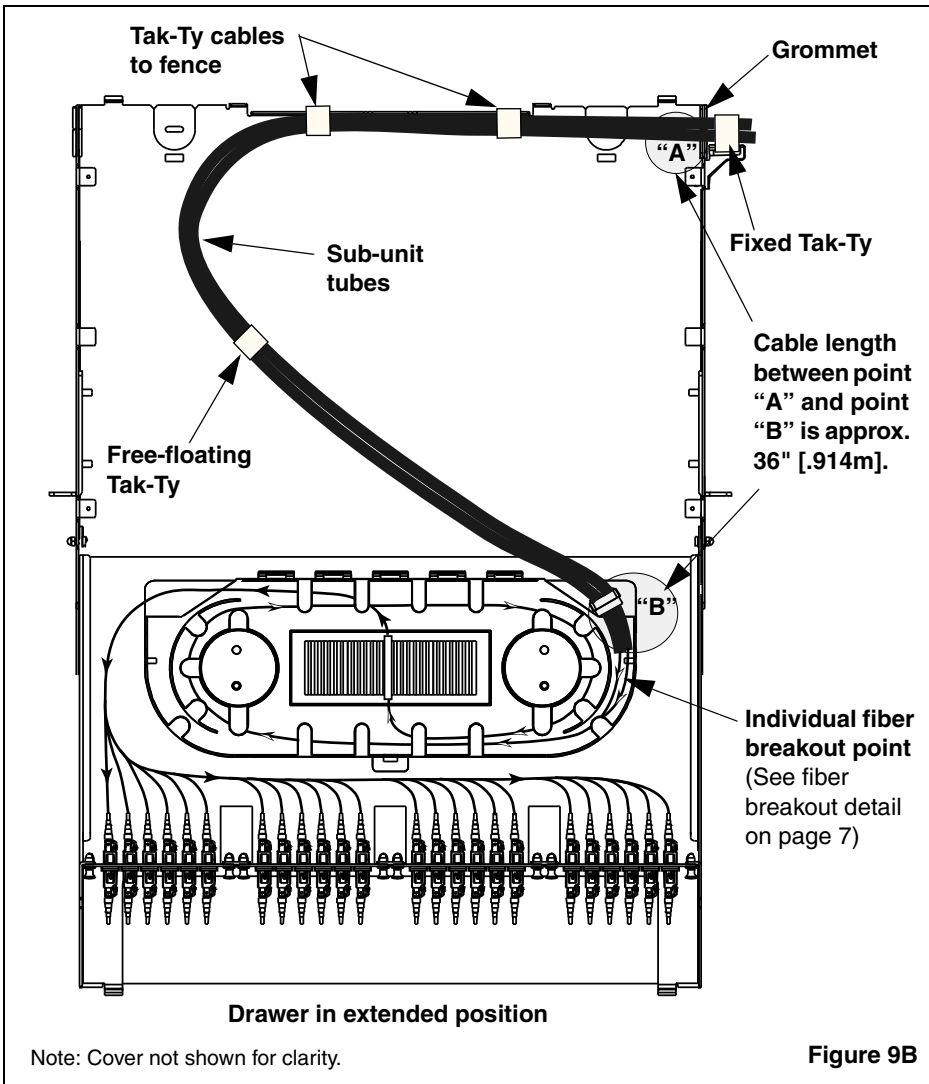
If 4 FOSMs are to be installed in the FCE1U or FCE1UA, side latches on top module must be broken off to close the enclosure drawer.

Position FAPs between upright flanges as shown. Once mounted, fully seat NyLatch fasteners to secure.



Fully extend drawer to ensure proper amount of slack is used.

Finish splicing in each FOSM before adding/stacking subsequent FOSMs.

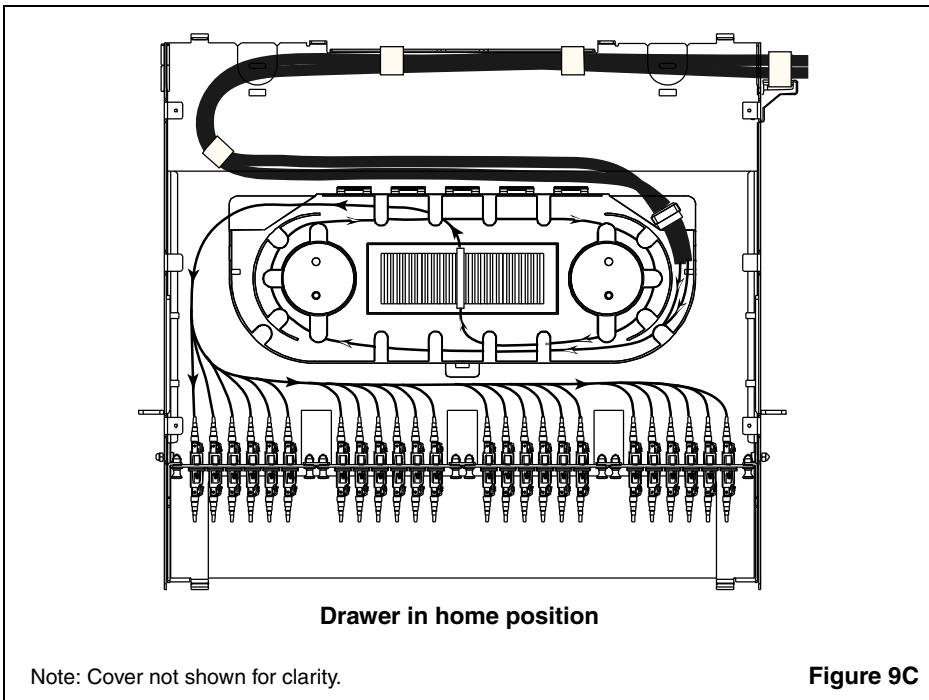


Route fiber through grommet as shown. Use enough cable length to ensure one complete loop (approx. 45" [1.15m]) of individual fibers around FOSM slack spools.

Route 900µm buffered fiber from the trunk cable and splice to pigtail per instructions in FS001*, "Opticom Fiber Optic Splice Module Installation Instructions."

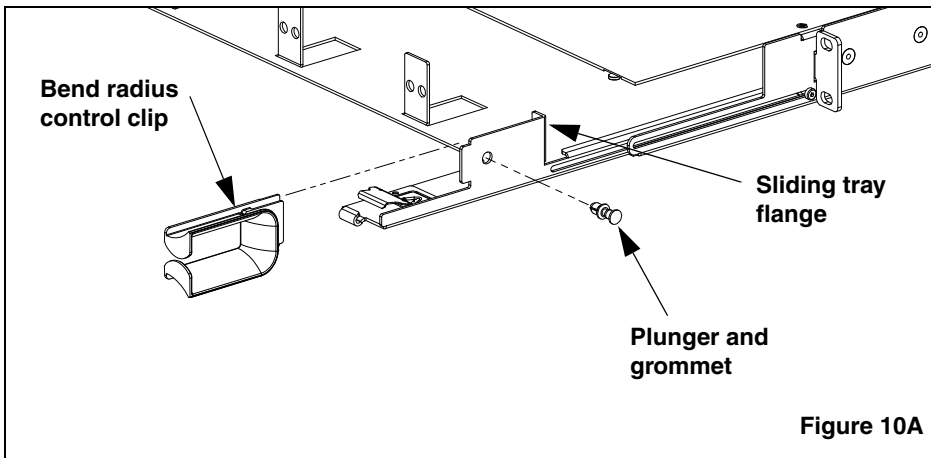
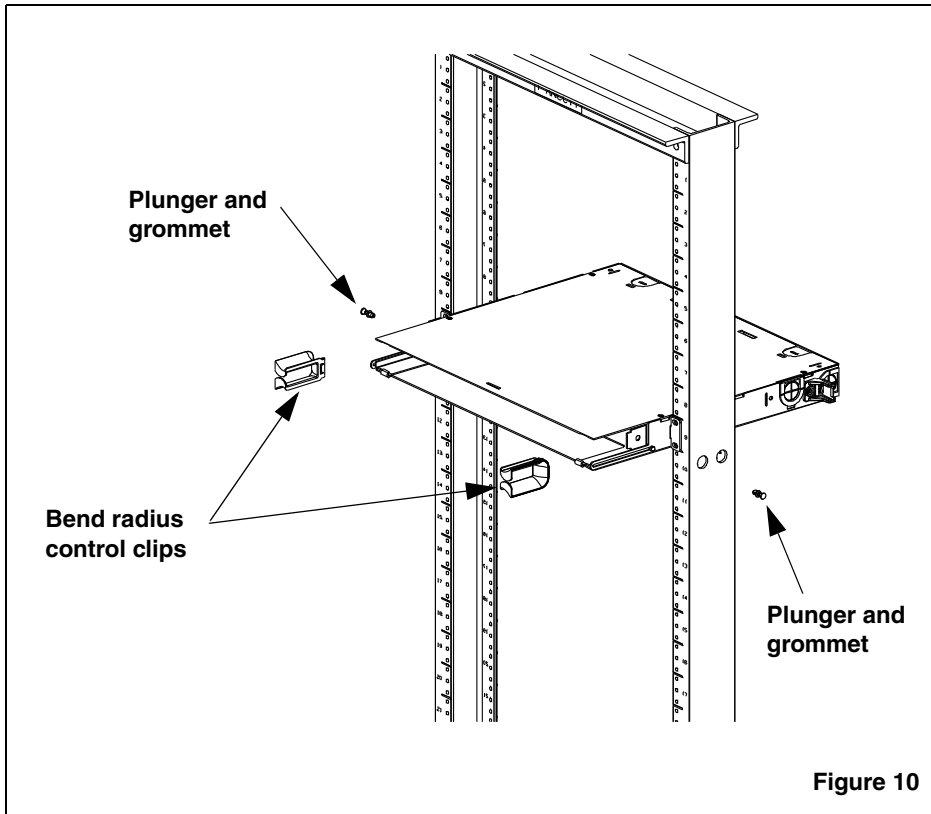
Leave enough jacketed slack so when the drawer is fully extended the cables are not put under tension. DO NOT use so much slack that the drawer cannot be returned to its home position (See Figure 9C).

Use Tak-Tys to secure fiber cords at cable entry location and other points as shown.

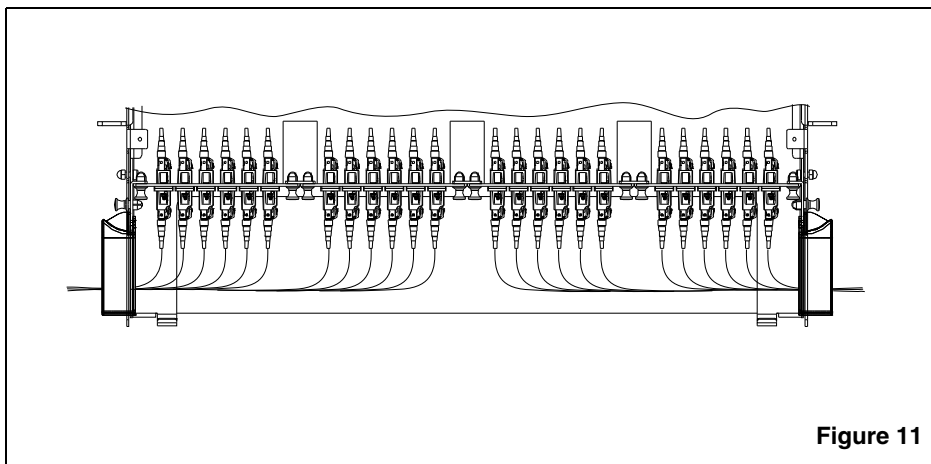


For Technical Support: www.panduit.com/resources/install_maintain.asp

Patch Cord Bend Radius Control Clip Installation

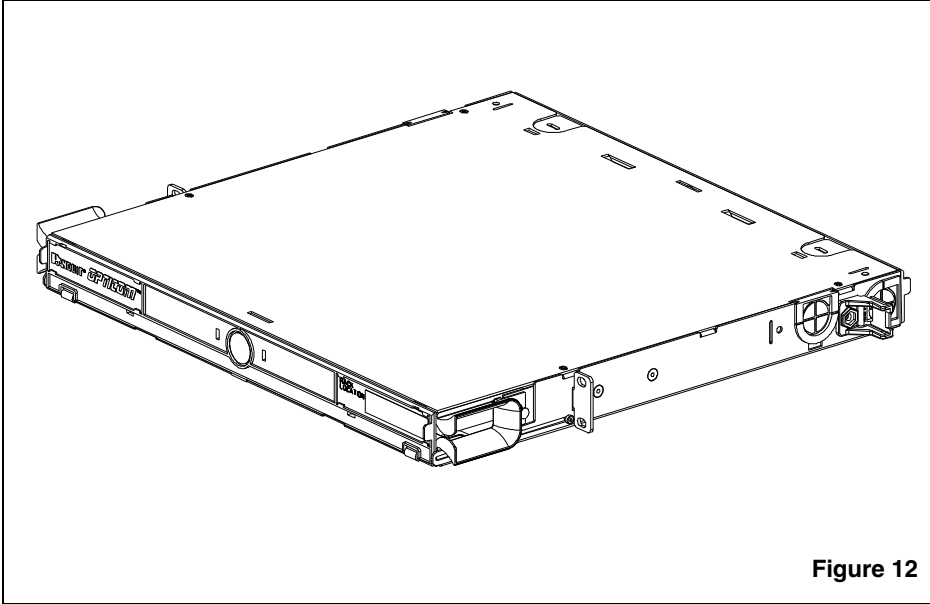


Slide bend radius control clip over sliding tray flange as shown. Push plunger/grommets through bend radius control clip and sliding tray flange hole. Fully seat plunger into grommet to secure the clip. Repeat for the other side.



Install patch cords into FAPs/cassettes routing through bend radius control clips and maintaining proper patch cord bend radius.

Door Re-Attachment



Re-install front door and rear door assemblies, if removed during fiber installation.

Attach Laser Warning Label and Caution Label where they are clearly visible.

For Instructions in Local Languages
and Technical Support:

www.panduit.com/resources/install_maintain.asp

PANDUIT

www.panduit.com

E-mail:
techsupport@panduit.com

Phone:
866-405-6654