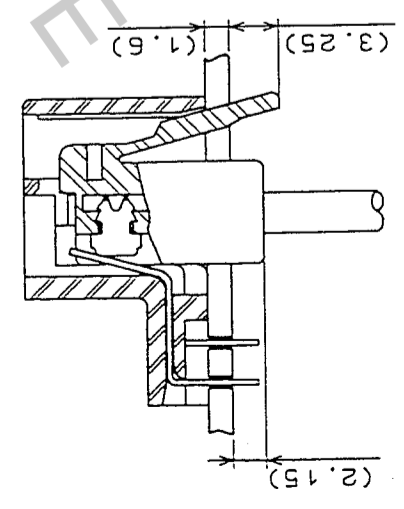
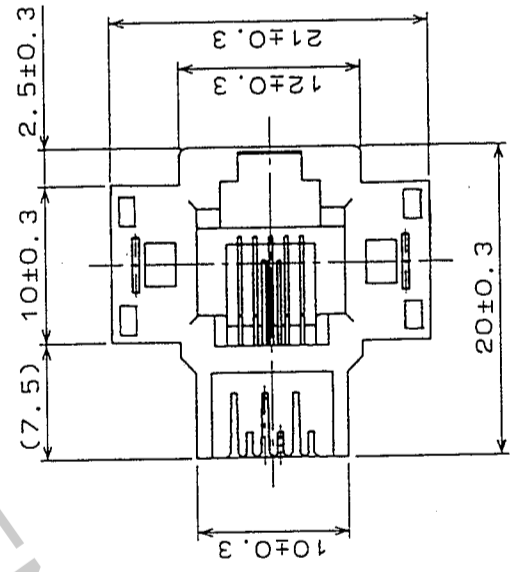
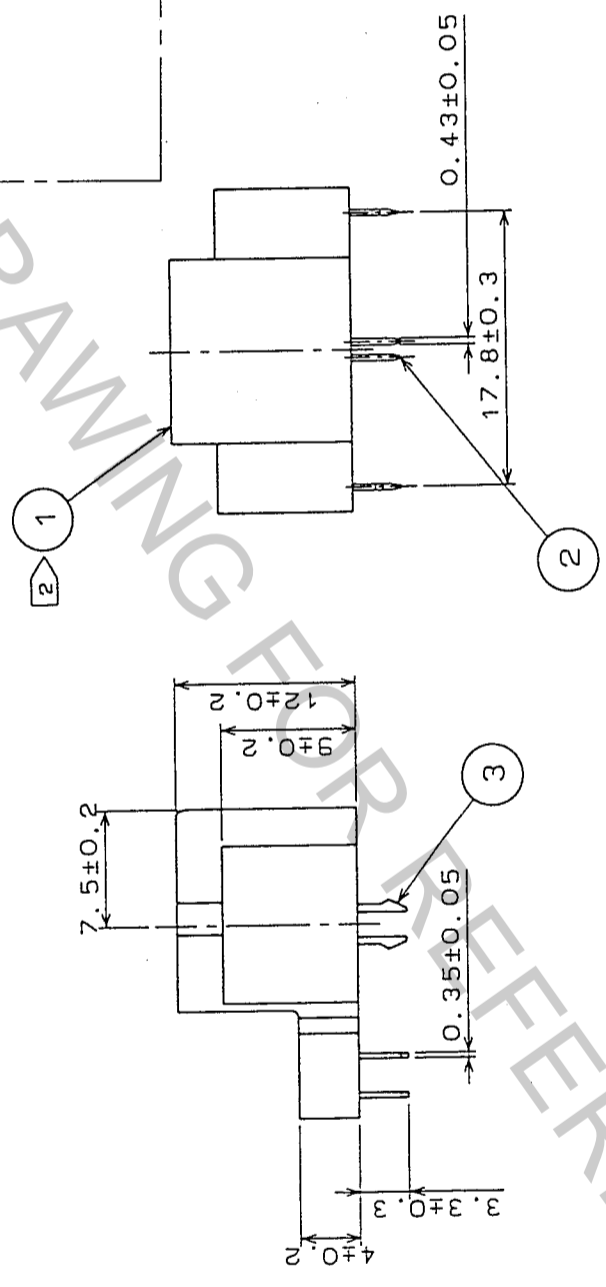
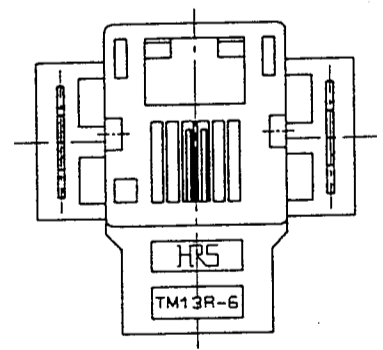
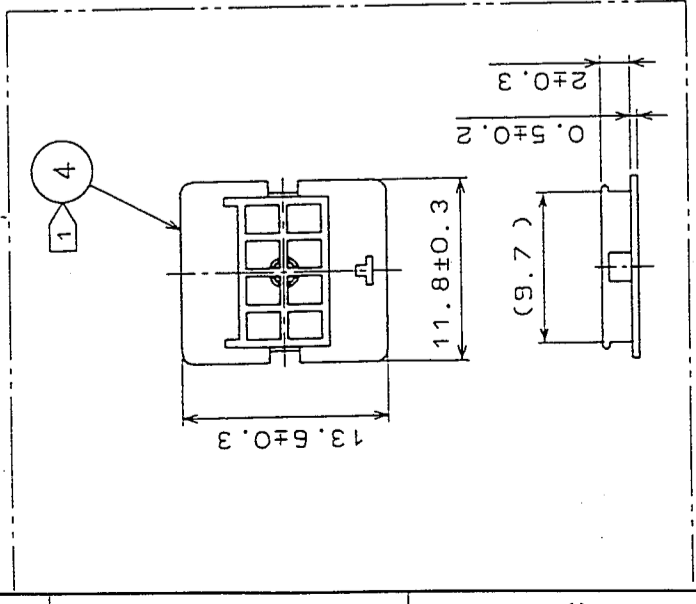
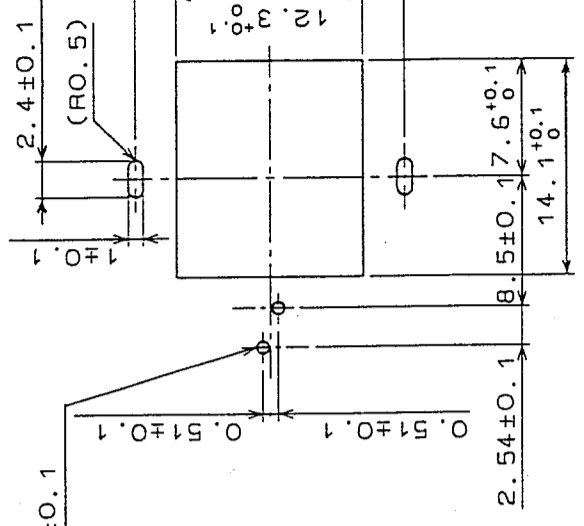


COUNT	DESCRIPTION OF REVISIONS	BY	CHKD	DATE	COUNT	DESCRIPTION OF REVISIONS	BY	CHKD	DATE

RECOMMENDED PC BOARD HOLE PATTERN
(MOUNTING SIDE)



ASSEMBLED FIGURE

NOTES
 1) CONNECTOR CAPPED REF. NO. 4 TO BE DELIVERED.
 2) FLUX TIGHT TO BE APPLIED ON THE SURFACE OF REF. NO. 1.

NO.	MATERIAL	FINISH, REMARKS	NO.	MATERIAL	FINISH, REMARKS
2	PHOSPHOR BRONZE	SELECTIVE GOLD PLATING 1.27μm	4	POLYAMIDE	UL94V-2 (BLACK)
1	PBT	UL94V-0 (BLACK)	3	PHOSPHOR BRONZE	TIN PLATING

CODE NO. (OLD)	DRAWN	DESIGNED	CHECKED	APPROVED	RELEASED
	J. Homiya	J. Ushio	J. Ushio	J. Ushio	
	03.12.13	03.12.13	03.12.15	03.12.15	

DRAWING NO.	PART NO.
EDC3-041317-01	TM13R-62(50)

SCALE	UNITS
2 : 1	mm

CODE NO.
CL222-2066-3-50

MATING FIGURE

TO	Q
----	---