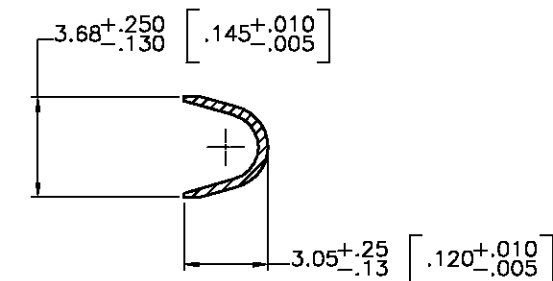
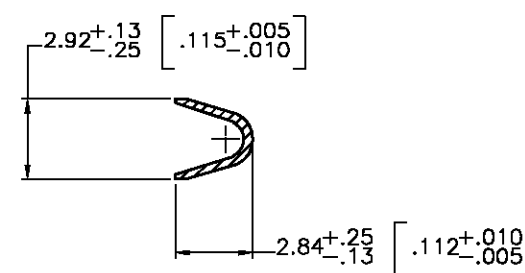
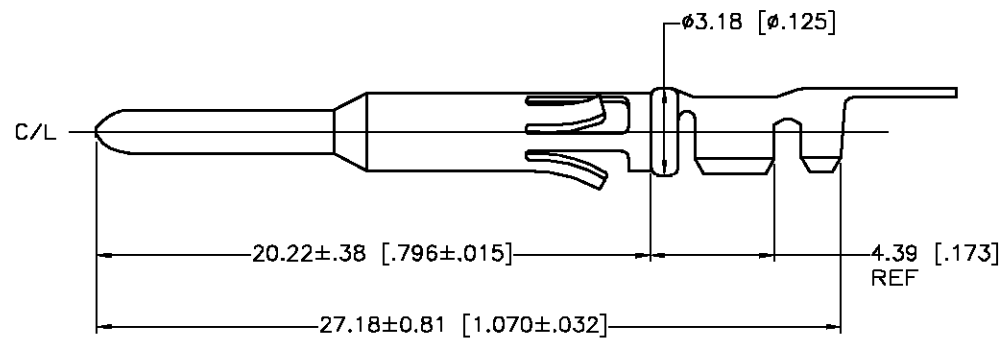
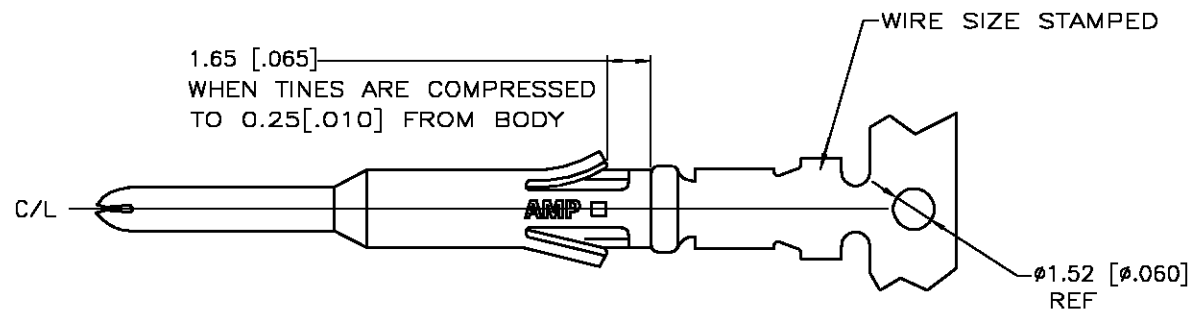


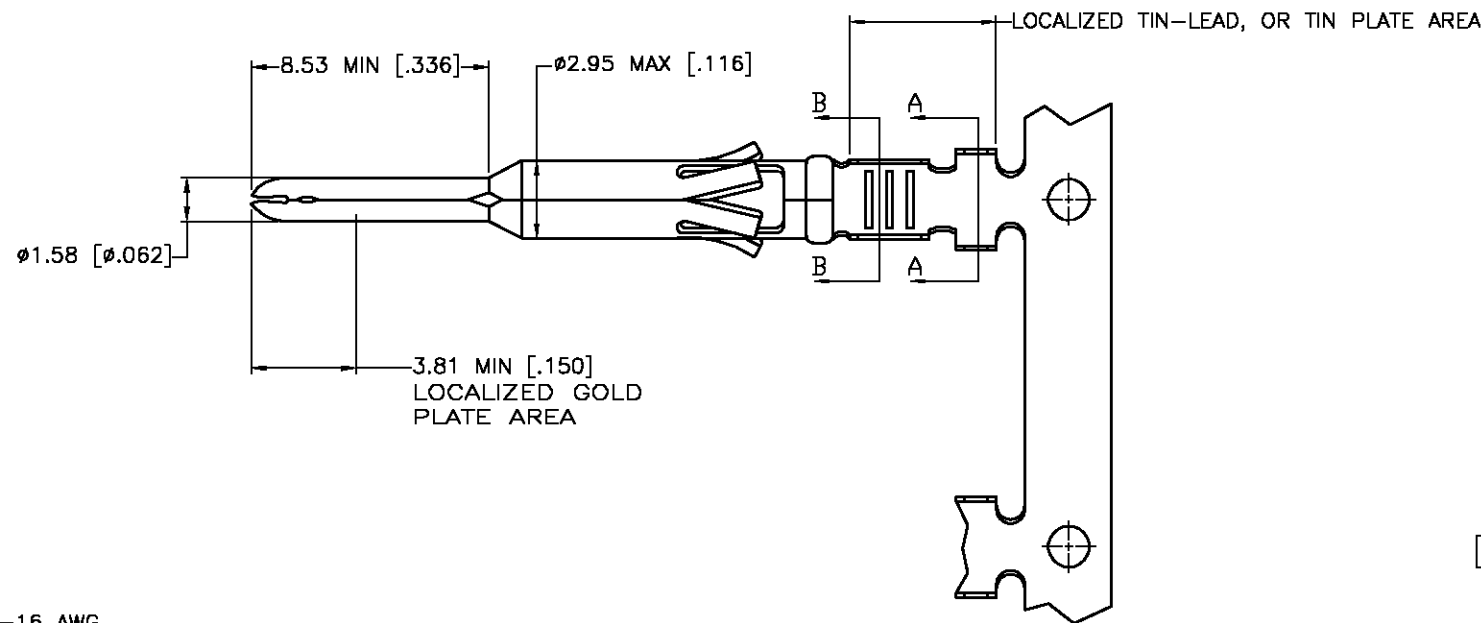
THIS DRAWING IS UNPUBLISHED. RELEASED FOR PUBLICATION  
 © COPYRIGHT BY TYCO ELECTRONICS CORPORATION. ALL RIGHTS RESERVED.

LOC	DIST	REVISIONS			
P	LTR	DESCRIPTION	DATE	DWN	APVD
BD	39	G	REV PER EC 0G3B-0317-03	24APR03	VF GS



SECTION B-B

SECTION A-A



1. WIRE RANGE 18-16 AWG.
  2. INSULATION RANGE 2.54-2.03 [.100-.080] DIA.
  3. FOR LOOSE PIECE PART SEE DWG 66589.
- ⚠ 0.76  $\mu\text{m}$  [.000030] MIN GOLD IN LOCALIZED GOLD PLATE AREA, 1.27  $\mu\text{m}$  [.000050] MIN TIN-LEAD IN LOCALIZED TIN-LEAD PLATE AREA, BOTH OVER 1.27  $\mu\text{m}$  [.000050] MIN NICKEL.
  - ⚠ TIN PLATED.
  - ⚠ 2.54  $\mu\text{m}$  [.000100] MIN SILVER OVER 1.27  $\mu\text{m}$  [.000050] MIN NICKEL.
  - ⚠ GOLD PLATING PER MIL-G-45204, SILVER PER QQ-S-365, TIN PER MIL-T-10727 AND NICKEL PER QQ-N-290.
  - ⚠ 0.76  $\mu\text{m}$  [.000030] MIN GOLD IN LOCALIZED GOLD PLATE AREA, 1.27  $\mu\text{m}$  [.000050] MIN TIN IN LOCALIZED TIN PLATE AREA, BOTH OVER 1.27  $\mu\text{m}$  [.000050] MIN NICKEL.

REVERSE REELED FOR MINI-APPLICATOR	8	66579-7
-	8	66579-6
REVERSE REELED FOR MINI-APPLICATOR	4	66579-4
-	4	66579-3
REVERSE REELED FOR MINI-APPLICATOR	5	66579-2
-	5	66579-1
DESCRIPTION	FINISH	

OBSOLETE

THIS DRAWING IS A CONTROLLED DOCUMENT.		DWN V. FURLER 14MAY2003	Tyco Electronics Corporation Harrisburg, PA 17105	
DIMENSIONS: MM [INCHES]		CHK G. STEINHAUER 16MAY03	NAME	
		APVD G. STEINHAUER 16MAY03	CONTACT, PIN, STRIP, TYPE VI, MULTIMATE	
TOLERANCES UNLESS OTHERWISE SPECIFIED: 0 PLC ± - 1 PLC ± - 2 PLC ± 0.13 [.005] 3 PLC ± - 4 PLC ± - ANGLES ± -		PRODUCT SPEC	SIZE	
MATERIAL		APPLICATION SPEC	CAGE CODE	DRAWING NO
BRASS MIL-C-50		WEIGHT	A3 00779	C-66579
FINISH		CUSTOMER DRAWING		RESTRICTED TO
SEE TABLE		SCALE 8:5		SHEET 1 OF 1
				REV G