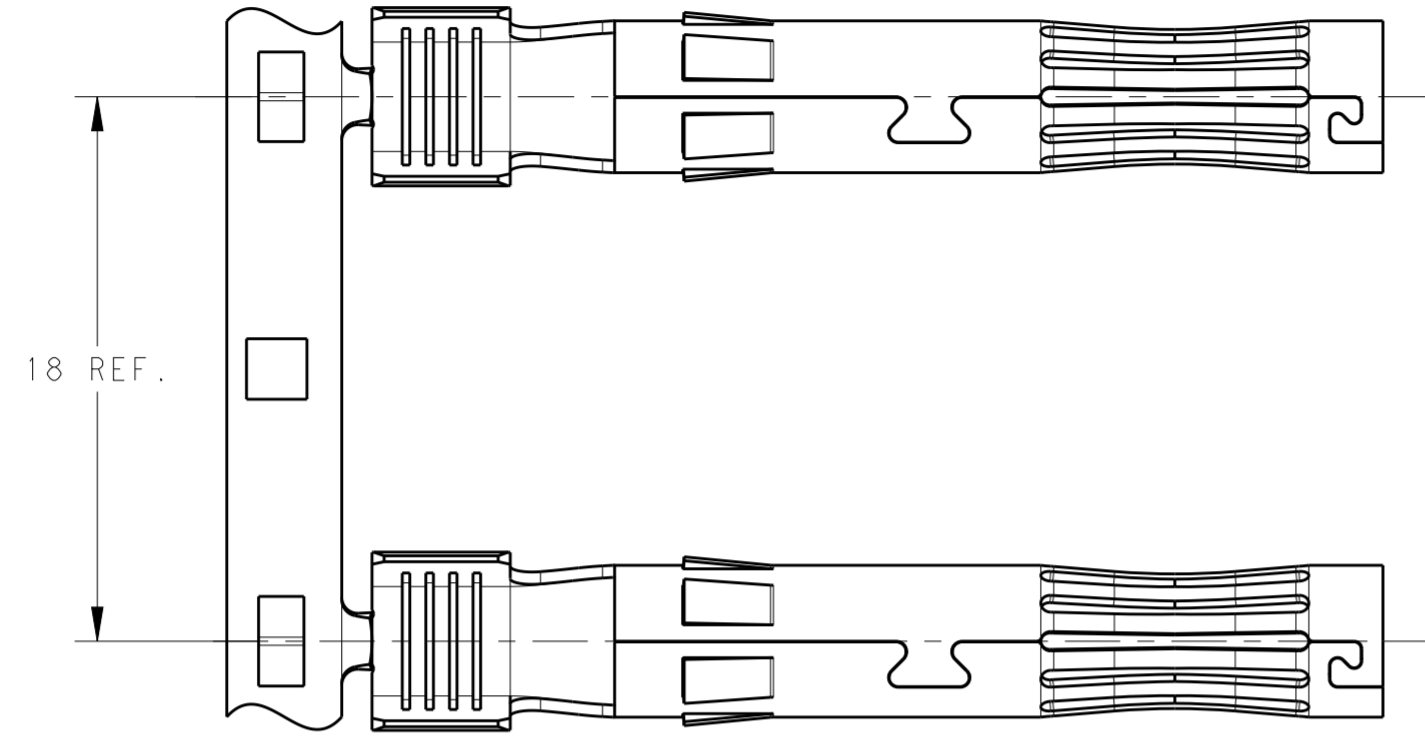


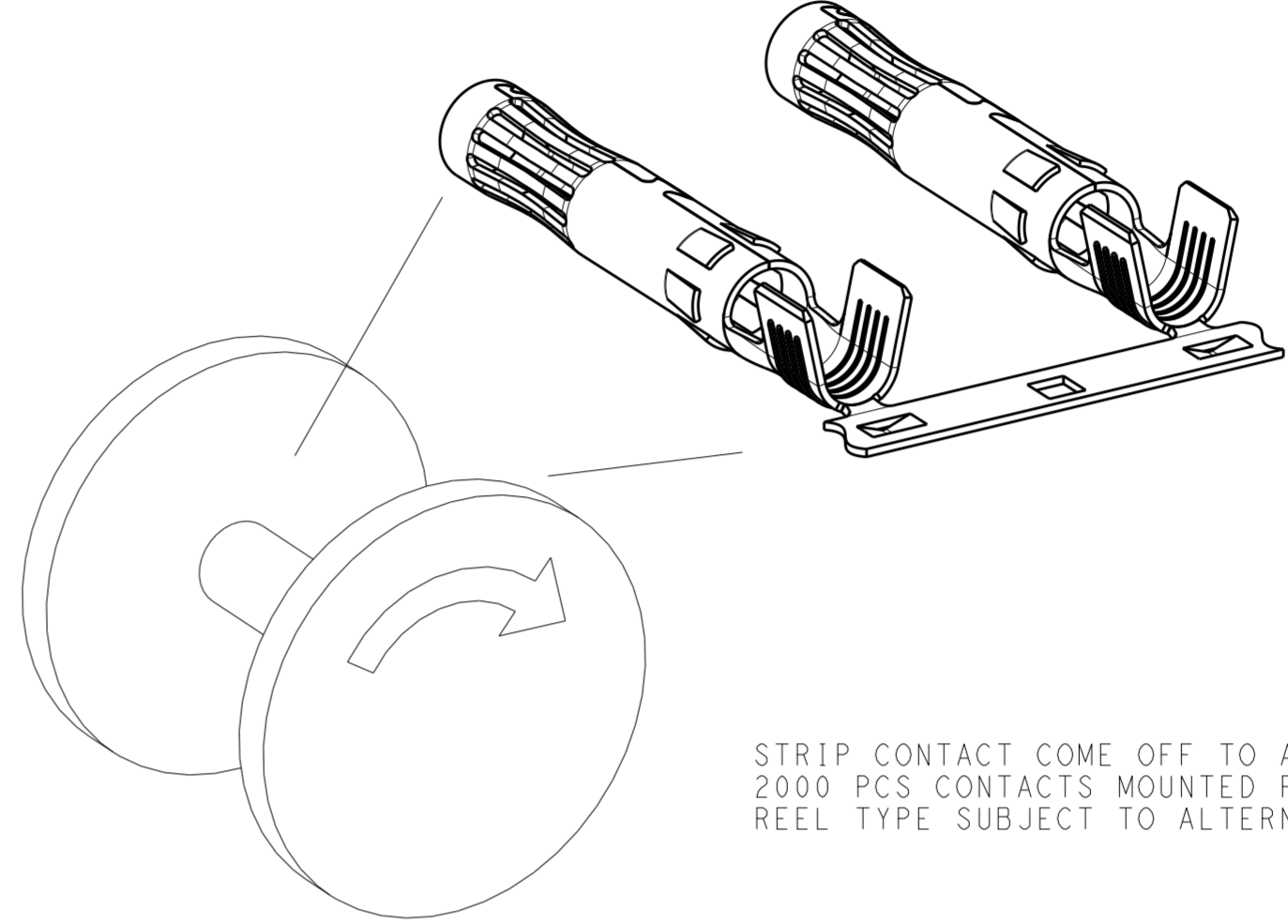
THIS DRAWING IS UNPUBLISHED. RELEASED FOR PUBLICATION 20
 © COPYRIGHT 20 TE CONNECTIVITY ALL RIGHTS RESERVED.

LOC		DIST		REVISIONS			
P	LTR	DESCRIPTION	DATE	DWN	APVD		
	A2	ECR-13-013865	04SEP2013	LW	PY		
	A3	ECR-14-015468	20OCT2014	LW	PY		
	A4	ECR-15-005723	13APR2015	KR	TD		
	B	ECR-17-009698	29AUG2017	SG	MS		

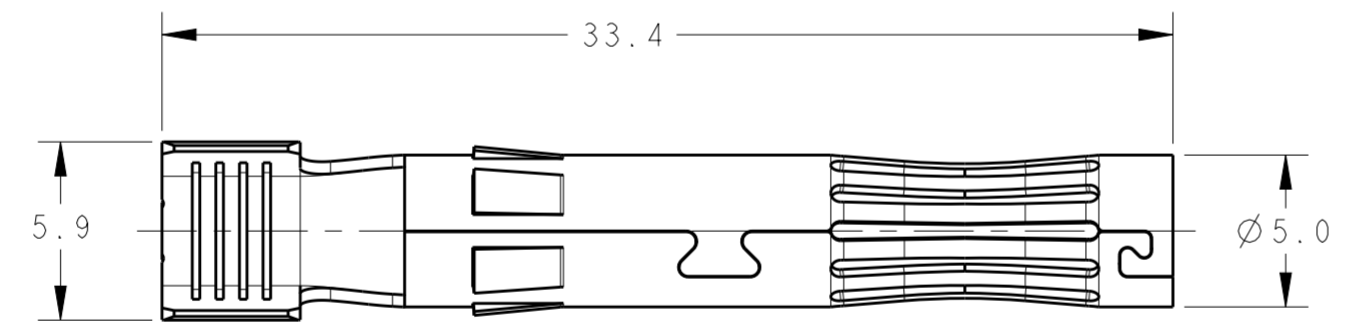


18 REF.

STRIP
-2 AS SHOWN

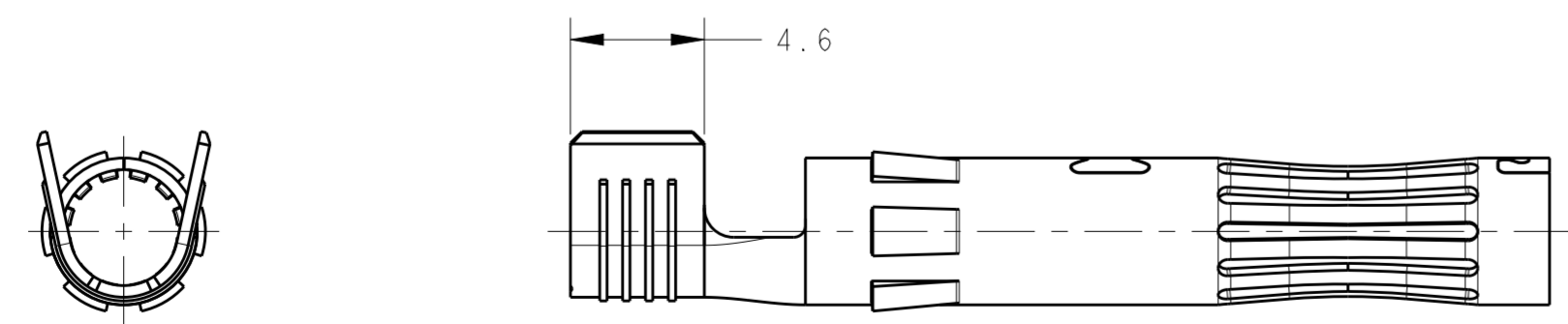


STRIP CONTACT COME OFF TO ASSEMBLY
2000 PCS CONTACTS MOUNTED REEL
REEL TYPE SUBJECT TO ALTERNATION



1. MATERIAL: COPPER ALLOY, TIN PLATED
2. USED FOR SOLAR CABLE: 4mm²/12AWG, 6mm²/10AWG.
3. PLS DON'T TOUCH THE CONTACT DIRECTLY BY HAND WITHOUT ANY PROTECTION.

⚠ USE ONLY CRIMPING TOOL OF TE CONNECTIVITY TO CRIMP CONTACT. CRIMPING TOOL PN 6-1579014-8 WILL BE USED FOR CRIMPING THE CONTACTS HAVING WIRE SIZE 4.0mm²+6.0mm².



LOOSE PIECE
-3 AS SHOWN

LOOSE PIECE	1971858-6	1
	1971858-5	10
	1971858-4	100
	1971858-3	1000
STRIP	1971858-2	2000
CONTACT TYPE	PART NUMBER	PACKING UNIT
FOR ORDER		

THIS DRAWING IS A CONTROLLED DOCUMENT.		DWN CHRIS WANG 09AUG2012	TE Connectivity															
DIMENSIONS: mm		CHK TANDY TANG 09AUG2012																
TOLERANCES UNLESS OTHERWISE SPECIFIED:		APVD PETER YIN 09AUG2012	NAME SOCKET CONTACT SOLARLOK PV4 CONNECTOR															
<table border="1"> <tr><td>0 PLC</td><td>±0.5</td></tr> <tr><td>1 PLC</td><td>±0.3</td></tr> <tr><td>2 PLC</td><td>±</td></tr> <tr><td>3 PLC</td><td>±</td></tr> <tr><td>4 PLC</td><td>±</td></tr> <tr><td>ANGLES</td><td>±</td></tr> <tr><td>FINISH</td><td>±</td></tr> </table>		0 PLC	±0.5	1 PLC	±0.3	2 PLC	±	3 PLC	±	4 PLC	±	ANGLES	±	FINISH	±	PRODUCT SPEC 108-106078	RESTRICTED TO	
0 PLC	±0.5																	
1 PLC	±0.3																	
2 PLC	±																	
3 PLC	±																	
4 PLC	±																	
ANGLES	±																	
FINISH	±																	
MATERIAL COPPER ALLOY	TIN	APPLICATION SPEC 114-106078	SIZE A2	CAGE CODE 00779														
Customer Drawing		WEIGHT -	DRAWING NO C-1971858	SCALE 4:1														
		SHEET 1 OF 1		REV B														