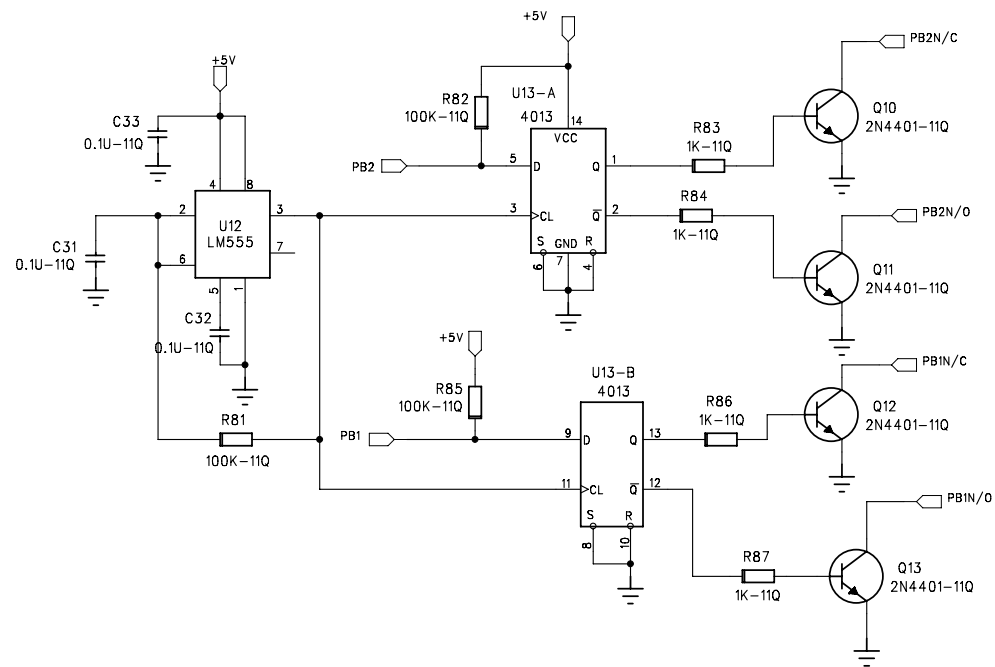
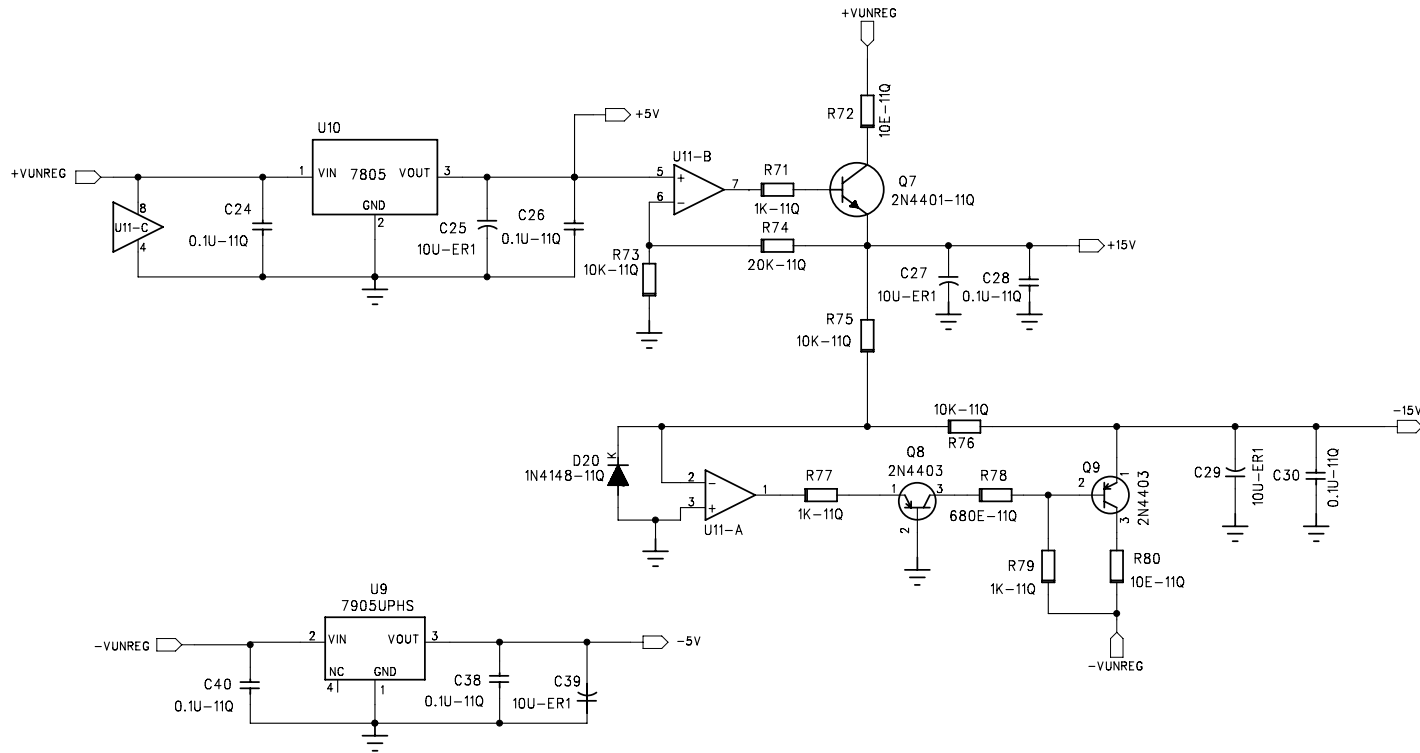


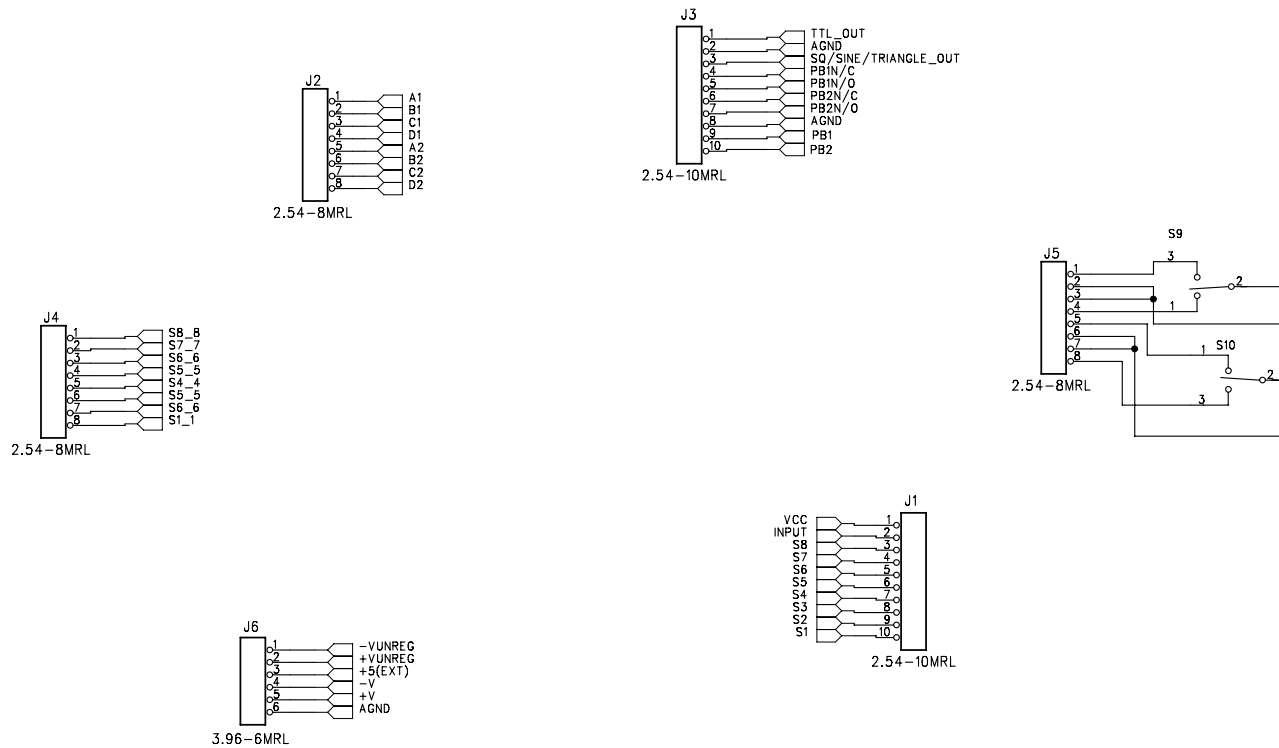
IRC 2260	MODEL: CADET-II / PB505
DRN BY: ADSA DATE: 18/05/09	Title: PLUSE LED
VERIFIED BY:RJG DATE: 23/05/09	File Ref.: CADET-II_PB505.sch
Aplab Ltd. A-5, Wagle Ind. Estate, Thane, India 400604	Rev. 1.0   1 of 9



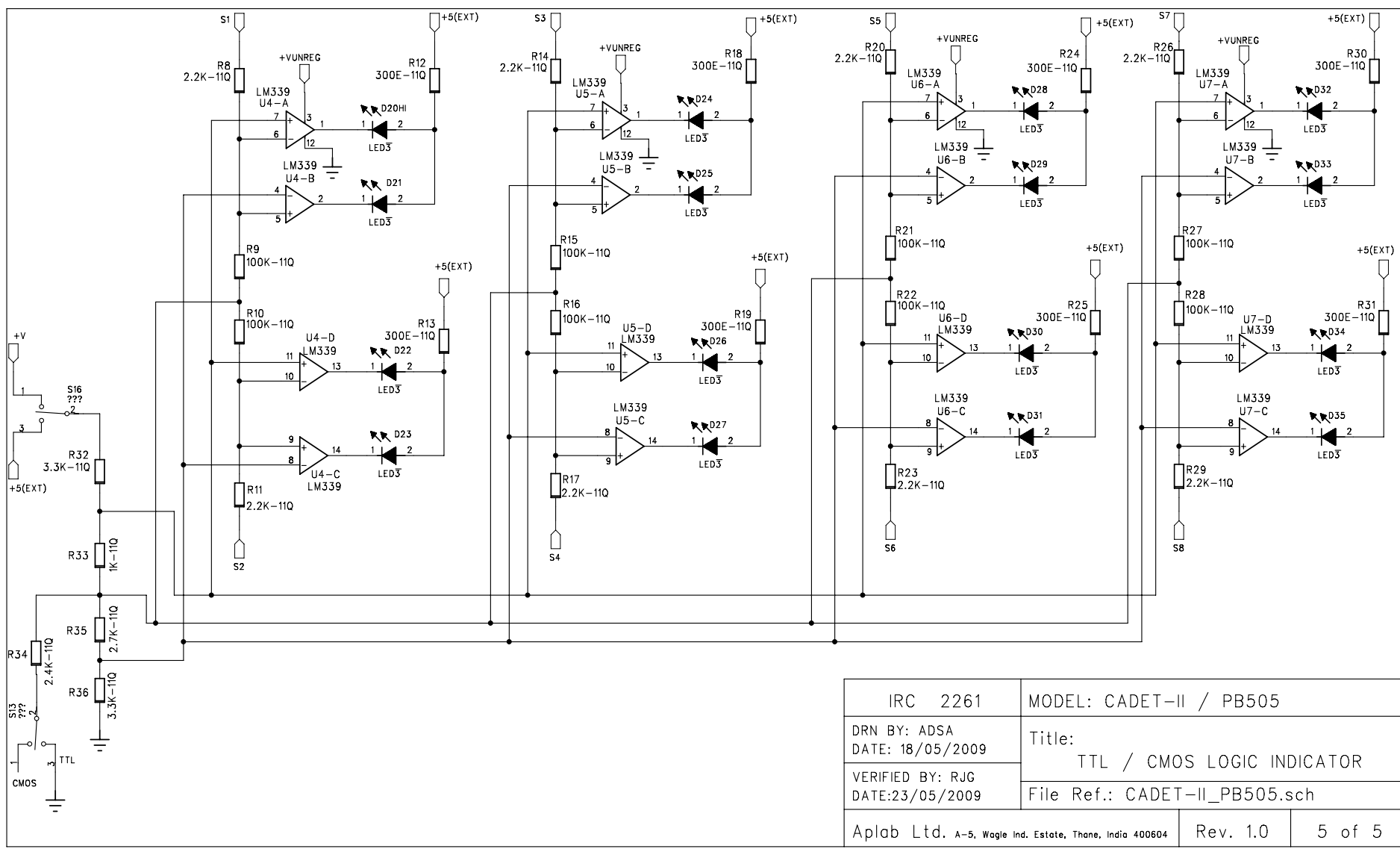
IRC 2260	MODEL: CADET-II/ PB505
DRN BY: ADSA DATE: 18/05/09	Title: PUSH SWITCH DEBOUNCE SECTION
VERIFIED BY: RJG DATE: 23/05/09	File Ref.: CADET-II_PB505.sch
Aplab Ltd. A-5, Wagle Ind. Estate, Thane, India 400604	Rev. 1.0 2 of 9



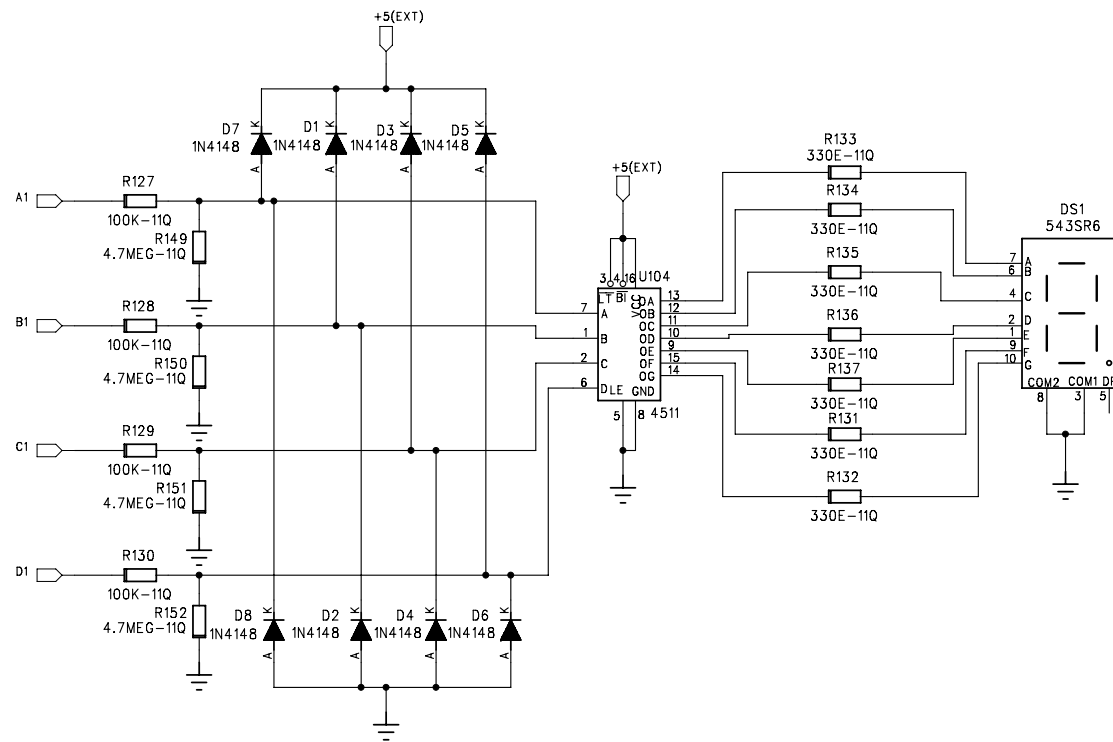
IRC 2260	MODEL: CADET-II / PB505
DRN BY: ADSA DATE: 18/05/2009	Title: INTERNAL POWER SUPPLY
VERIFIED BY: RJG DATE: 23/05/2009	File Ref.: CADETII_PB505.sch
Aplab Ltd. A-5, Wagie Ind. Estate, Thane, India 400604	Rev. 1.0   3 of 9



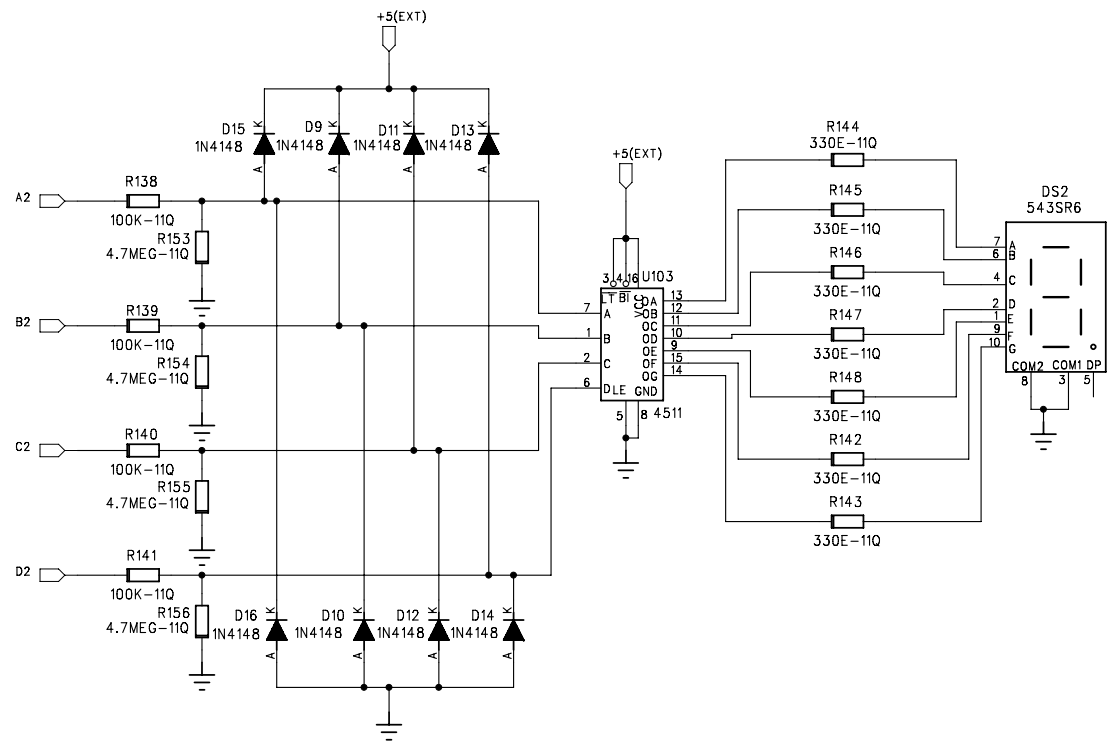
IRC 2260	MODEL: CADET-II/PB505
DRN BY: ADSA DATE: 18/05/09	Title: CONNECTORS
VERIFIED BY: RJG DATE: 23/05/09	File Ref.: CADET-II_PB505.sch
Aplab Ltd. A-5, Wagle Ind. Estate, Thane, India 400604	Rev. 1.0
	4 of 9



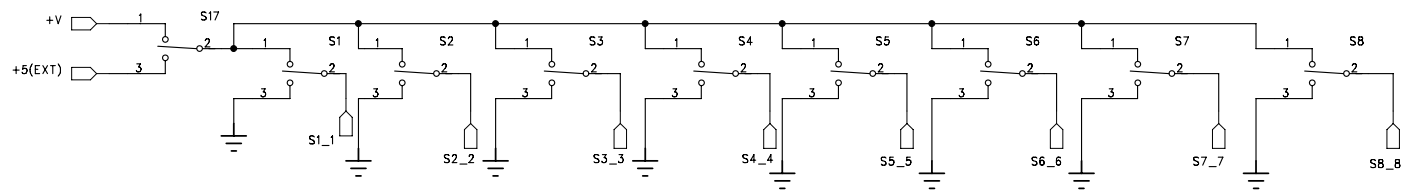
IRC 2261	MODEL: CADET-II / PB505	
DRN BY: ADSA DATE: 18/05/2009	Title: TTL / CMOS LOGIC INDICATOR	
VERIFIED BY: RJG DATE: 23/05/2009	File Ref.: CADET-II_PB505.sch	
Aplab Ltd. A-5, Wagle Ind. Estate, Thane, India 400604	Rev. 1.0	5 of 5



IRC 2260	MODEL: CADET-II/PB505
DRN BY: ADSA DATE: 18/05/09	Title: 7 SEGMENT DISPLAY
VERIFIED BY: RJG DATE: 23/05/09	File Ref.: CADET-II_PB505.sch
Aplab Ltd. A-5, Wagle Ind. Estate, Thane, India 400604	Rev. 1.0
	6 of 9

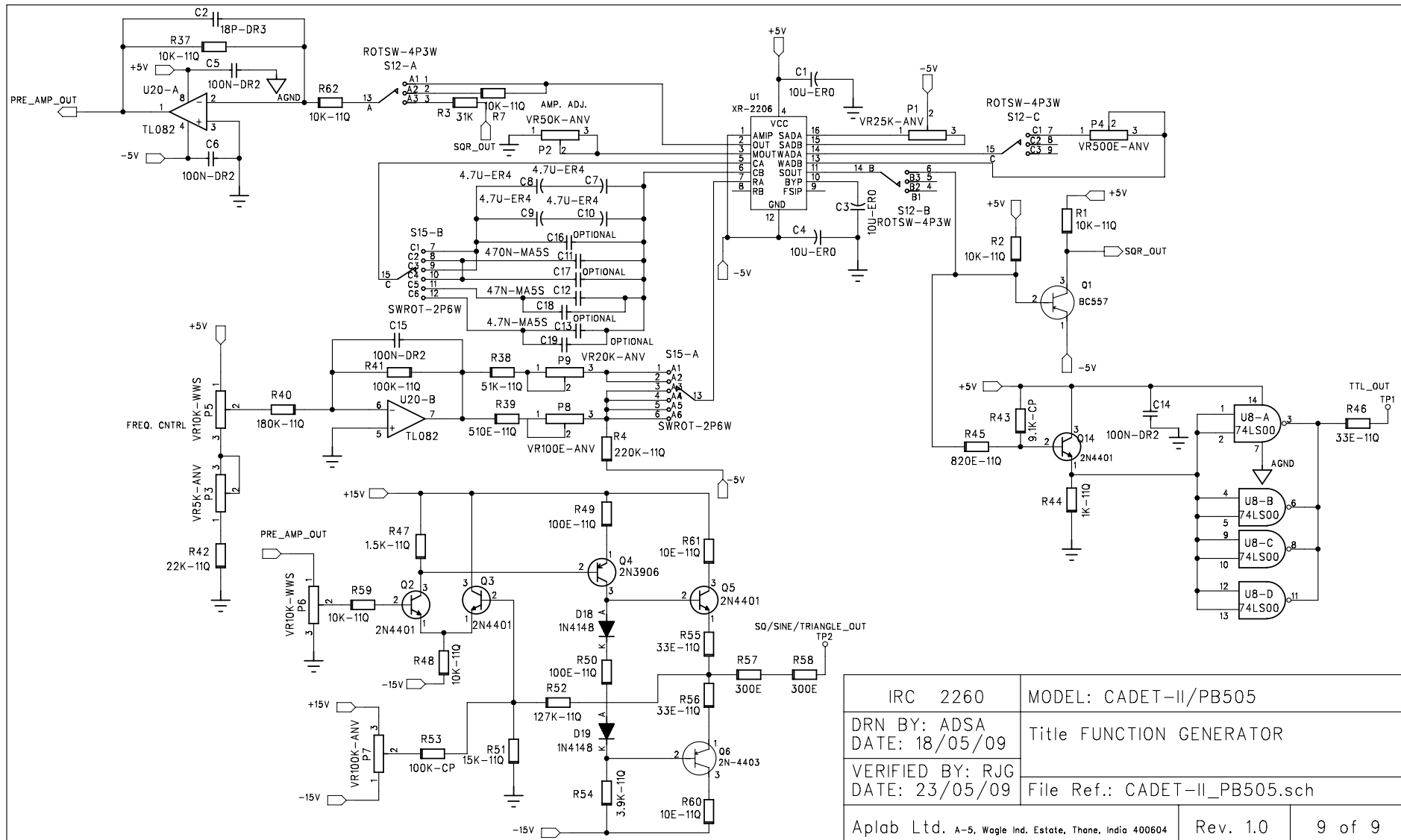


IRC 2260	MODEL: CADET-II/PB505
DRN BY: ADSA DATE: 18/05/09	Title: 7 SEGMENT DISPLAY2
VERIFIED BY: RJG DATE: 23/05/09	File Ref.: CADET-II_PB505.sch
Aplab Ltd. A-5, Wagle Ind. Estate, Thane, India 400604	Rev. 1.0
	7 of 9



IRC 2260	MODEL: CADET-II/PB505
DRN BY: ADSA DATE: 18/05/09	Title: SWITCHES
VERIFIED BY: RJG DATE: 23/05/09	File Ref.: CADET-II_PB505.sch
Aplab Ltd. A-5, Wagle Ind. Estate, Thane, India 400604	Rev. 1.0
	8 of 9





IRC 2260	MODEL: CADET-II/PB505
DRN BY: ADSA DATE: 18/05/09	Title FUNCTION GENERATOR
VERIFIED BY: RJG DATE: 23/05/09	File Ref.: CADET-II_PB505.sch
Aplab Ltd. A-5, Wagie Ind. Estate, Thane, India 400604	Rev. 1.0      9 of 9